

## TABLE OF CONTENTS

	Figure Index	i
	Preface	iii
<b>Warping the Plain Beam</b>	Creating Two Crosses	1-1
	Securing the Crosses	1-2
	Removing the Warp for the Warping Board	1-2
	Adjusting the Tension Device	1-2
	Attaching the Raddle	1-2
	Winding the Apron	1-3
	Attaching the Warp to the Apron	1-3
	Sticks in the Raddle Cross	1-3
	Feeding the Raddle	1-4
	Preparing the Paper	1-5
	Winding the Warp	1-6
	Threading Cross	1-7
	Remove the Raddle	1-7
	Two Beams	1-7
<b>Warping the Sectional Beam</b>	Sectional Beam Calculation	2-1
	Extension Cords	2-2
	Feeding the Spool Rack	2-2
	Adjusting the Tension Device	2-3
	Setting a Tracking System	2-3
	Tension Box	2-3
	Tension Box Heddle Installation Instructions	2-4
	Threading the Tension Box	2-5
	Winding the Warp	2-7
	Counting Turns or Yardage	2-10
	Creating the Cross	2-11
	Sticks in the Treading Cross	2-11
	Routing the Warp	2-11
	Readjusting the Tension	2-12
	Combining Sectional and Plain Warping	2-13
<b>Two or More Warps</b>	When Do You Need to Tension Your Warps Separately?	3-1
	Setting Two Beams	3-1
	More Than Two Warps, Separate Tensioning	3-4

## TABLE OF CONTENTS

---

<b>Threading, Sleying, and Tying On</b>	Preparation for Threading	4-1
	Threading Position/Overhead Beaters	4-1
	Threading Position/Bottom Swing Beaters	4-1
	Threading the Harnesses	4-3
	Unused Heddles	4-3
	Sleying the Reed	4-3
	Tying on to the Apron	4-3
	Wrapping the Warp around the Sandpaper Cloth Beam	4-5
	Tying on to an Old Warp	4-6
	<b>Setting the Tension Device</b>	5-1
<b>Pegging the Dobby Unit</b>	Dobby System	6-1
	Creating a Tabby Chain	6-1
	Feeding the Dobby Unit	6-1
	Creating Chains with More Complex Structures	6-3
	Long Dobby Chains	6-9
	Handling Your Dobby Chains	6-9
<b>Weaving Procedures</b>	Winding Bobbins	7-1
	Using the AVL Bobbin-Winding Guide	7-2
	Placing Bobbin in the Shuttle	7-3
	Feeding the Shuttle with Standard Tensioner/Adjusting the Tension	7-4
	Feeding the Thick Yarn Shuttle/Adjusting the Tension	7-4
	To Remove or to Change the Reed	7-4
	Using the Flyshuttle Beater	7-4
	Throwing the Flyshuttle	7-5
	Double Box/Four Box	7-6
	Starting a New Bobbin	7-6
	Weaving with Two or More Shuttles on a Single Box Flyshuttle Beater	7-7
	Starting Your Weaving	7-7
	Mechanical Dobby	7-7
	Advancing the Cloth	7-7
	Reversing Your Warp if Advanced Too Much	7-8
Using the Cloth Storage Roller	7-8	
Removing the Cloth from the Loom	7-9	
Adjusting the Beater and Spring Levers	7-9	

**TABLE OF CONTENTS**

---

<b>Loom</b>	Loom Maintenance	8-1
<b>Maintenance and</b>	Loom Parts/Lubrication and Cleaning - Table	8-1
<b>Trouble Shooting</b>	Trouble Shooting	8-3
	Harnesses - Table 1	8-3
	Tension - Table 2	8-6
	Cloth Storage - Table 3	8-8
	A Shed - Table 4	8-10
	Beaters and Flyshuttles - Table 5	8-11
	Dobby - Table 6	8-12

---

# **FIGURE INDEX**

## WEAVING SECTION - FIGURE INDEX

	<b>Figure #</b>	<b>Drawing Title</b>	<b>Page #</b>
<b>Warping the Plain Beam</b>	1W	Warping Board with Threading and Raddle Crosses	1-1
	2W	Attaching the Raddle on the Back of the Loom	1-2
	3W	Warp Sections on Apron Rod	1-3
	4W	Feeding the Raddle	1-4
	5W	Prepared Paper with Folded Edge	1-5
	6W	Winding on the Warp - Plain Beam	1-6
<b>Warping the Sectional Beam</b>	7W	Tension Box	2-5
	8W	Winding on the Warp - Half Yard Sectional Beam, Lower Position	2-7
	9W	Winding on the Warp - One Yard Sectional Beam, Upper Position	2-8
	10W	Adjusting the Width of the Section with Pivoting Reed	2-9
	11W	Creating Flat Layers	2-9
	12W	Attaching Yardage Counter to Tension Box	2-10
	13W	Routing of Warp with Sectional Beam (upper position and lower position)	2-11
<b>Two or More Warps</b>	14W	Routing of Warp with Sectional Beam in Upper Position	3-2
	15W	Routing of Warp with Sectional Beam in Lower Position	3-2
	16W	Two Beams Warp Routing with Two Pairs of Sticks Hang on the Frame	3-3
<b>Threading, Sleying, and Tying On</b>	17W	Threading Position for Floor Mounted Beater	4-2
	18W	Section through Loom Showing Routing of Apron	4-4
	19W	Tieing the Warp to the Apron using Surgeon's Knot	4-5
	20W	Wrapping Warp Around Cloth Beam	4-6
	21W	Tying New Warp to Old Warp	4-7
<b>Setting the Tension Device</b>	22W	Tension Device	5-1
<b>Peggy the Dobby Unit</b>	23W	Feeding Dobby Chain into Dobby Head	6-2
	24W	Peg Plan, Sample I	6-4
	25W	Peg Plan, Sample II	6-5
	26W	Peg Plan, Sample III	6-6
	27W	Peg Plan Reversing Technique	6-8

## WEAVING SECTION - FIGURE INDEX

---

<b>Weaving Procedures</b>	28W	Winding the Bobbin	7-1
	29W	Feeding the Bobbin-Winding Guide	7-2
	30W	Using the Bobbin-Winding Guide	7-3
<b>Loom Maintenance and Troubleshooting</b>		Lubrication and Cleaning	8-1
	Table 1	Harnesses	8-3
	Table 1	Harnesses (cont'd)	8-4
	Table 2	Tension	8-6
	Table 2	Tension (cont'd)	8-7
	Table 3	Cloth Storage	8-8
	Table 3	Cloth Storage (cont'd)	8-9
	Table 4	A Shed	8-10
	Table 5	Beaters and Flyshuttles	8-11
Table 6	Dobby	8-12	

Learning to warp and weave on an AVL loom will mean learning some new procedures and techniques even for the experienced weaver. Since the looms will not function at full capacity unless care is taken to dress and operate them properly, it is worth your while to study the following instructions in detail. The time taken to make these procedures your own will result in increasing your weaving speed and efficiency as well as enhancing your enjoyment of the entire weaving experience.

---

# **WARPING THE PLAIN BEAM**



If you have ordered only a sectional beam, proceed to the section titled “Warping the Sectional Beam”.

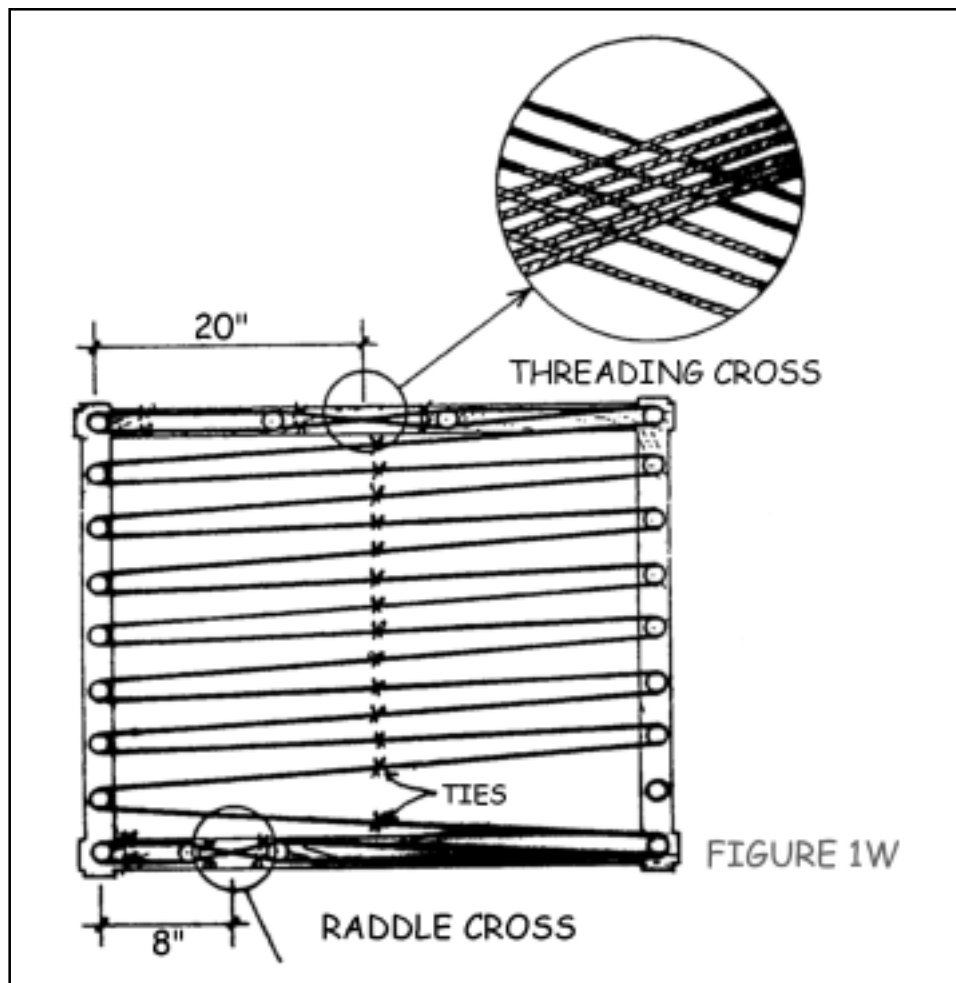
Various warping methods can be adapted to the AVL loom. However, we recommend the following method in which the warp is first wound on to the plain beam with the use of a raddle. Please study this method and try it. We have found that it aids in getting a uniform warp tension, especially when dealing with long warps of twenty yards or more.

### Creating Two Crosses

To begin, wind the warp on a warping board or reel. Make sure you put in two crosses:

- the threading cross
- the raddle cross

In the threading cross, each thread crosses the next thread in opposite directions. In the raddle cross, groups of threads cross each other. The number of threads in a raddle group can be determined by the number of ends to be placed in each section of the raddle or by the number of threads you are holding in your hand while winding the warping board.



## WARPING THE PLAIN BEAM

---

### Securing the Crosses

Before removing the warp from the board or the reel, secure the crosses. Use four ties to secure each cross. These ties go on each side of both pegs holding the cross.

It is usually a good idea to use different color threads for the ties on the tops of the pegs and another color to tie the bows underneath the pegs. By color coding your ties, you are less likely to twist the warp later.

### Removing the Warp for the Warping Board

Remove the warp from the warping board by chaining or by winding on the kitestick. Start from the threading cross and proceed to the raddle cross.

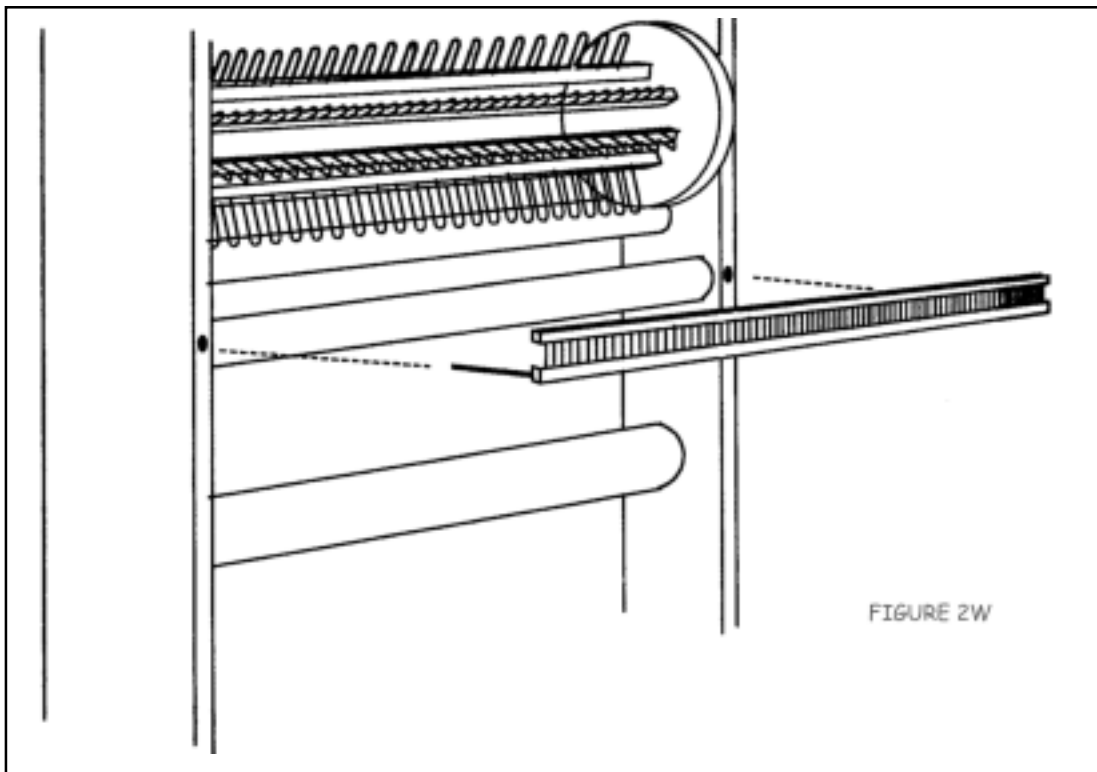
Since the capacity of the warping board is limited, for wide warps you will end up making a number of mini-warps and taking them off individually.

### Adjusting the Tension Device

Before winding on the warp, there are a few small things to take care of on the loom. First, check the tension device to make sure the rope is wrapped three times around the tension drum and that the rope end is clipped to the spring. This will prevent the warp beam from slipping backwards during winding and threading. Also make sure the stop pin is in its place in the rear cloth take up drum so it won't unroll. Check the cloth take up weight. Turn the cloth take-up handle until the weight is in its topmost position.

### Attaching the Raddle

Now secure the raddle to the back of the loom. If you have an AVL raddle, simply slip it into the set of holes in the back of the rear vertical members.



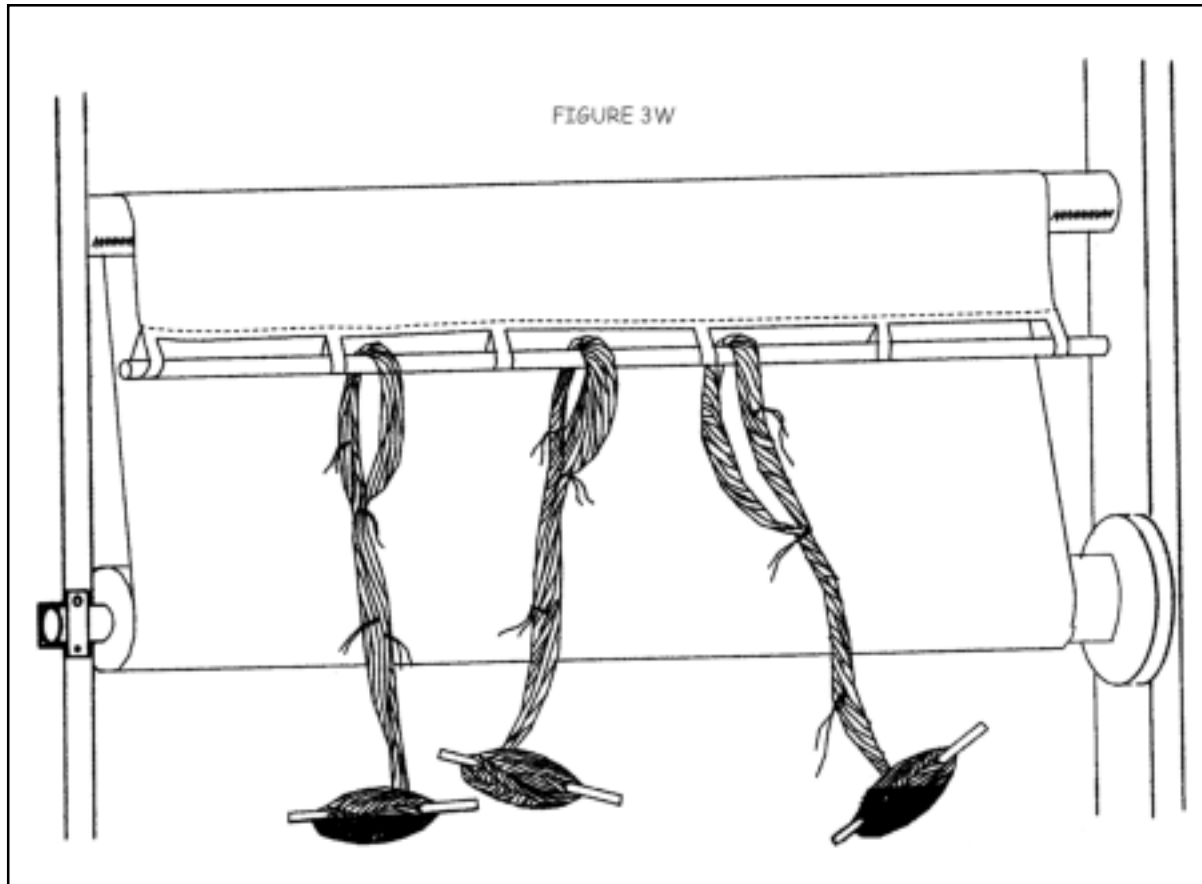
## WARPING THE PLAIN BEAM

### Winding the Apron

Put your apron on the beam with velcro and wind your beam in the warping direction so that your apron is wound on the beam.

### Attaching the Warp to the Apron

Bring the apron around the separation roller and put the metal rod through. You can also put your warp section onto that rod or you can attach another one with the warp.



### Sticks in the Raddle Cross

Place two lease sticks in the raddle cross and secure together with string through the holes in the ends of the sticks. Now remove the ties from the raddle cross and spread the warp out on the sticks.

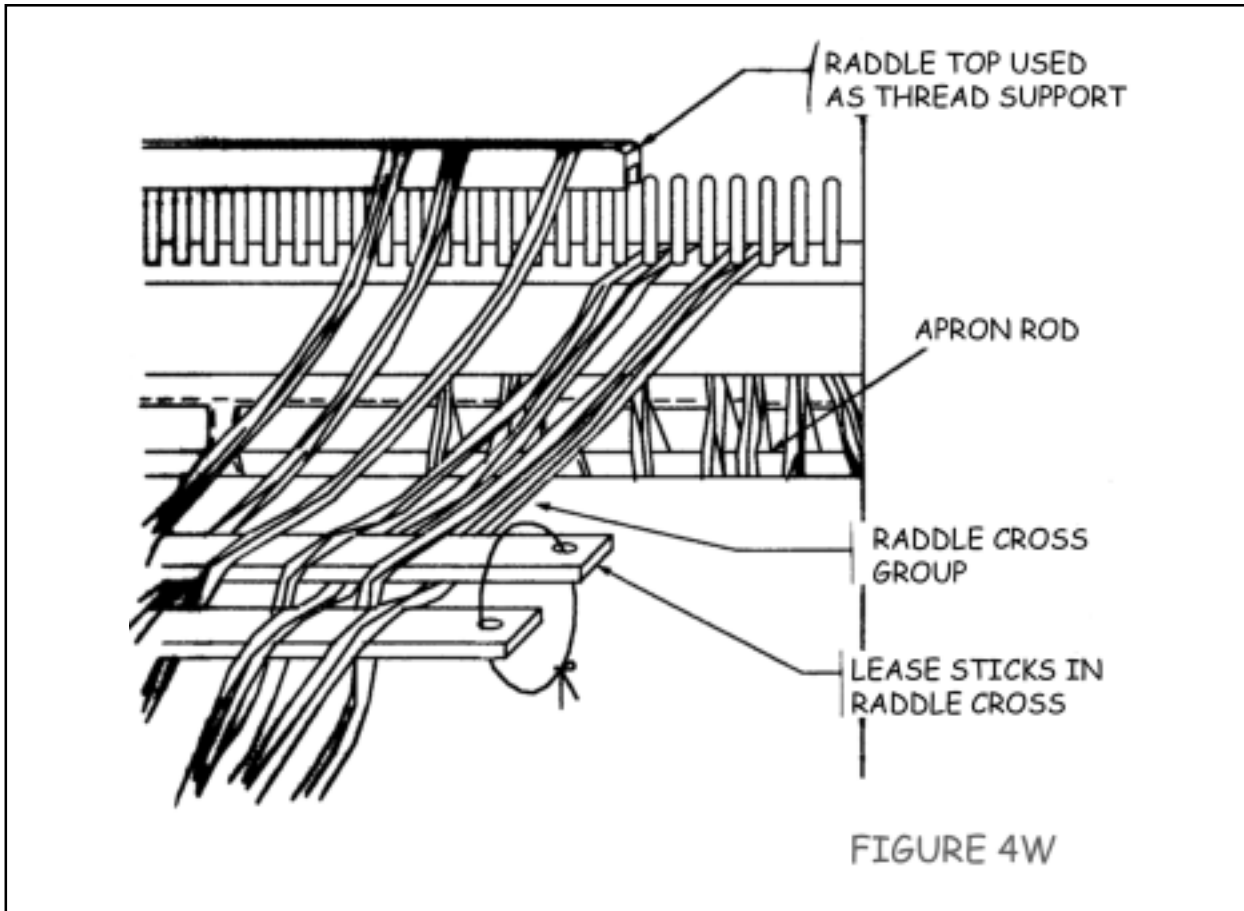
Measure the center of your raddle to use it as a center of your warp. The warp threads should either go through the middle of the raddle or be offset 4" to the right.

**NOTE:** If you are going to be using a flyshuttle and you are planning a narrow warp, you need to offset the warp four inches to the right instead of centering it. (Remember, "the right" means the right side of the loom as you are seeing it from the weaving position at the loom bench.) This will ensure even selvages.

## WARPING THE PLAIN BEAM

### Feeding the Raddle

To feed the raddle, distribute yarns through the raddle by dropping each raddle cross group into a dent in the raddle.

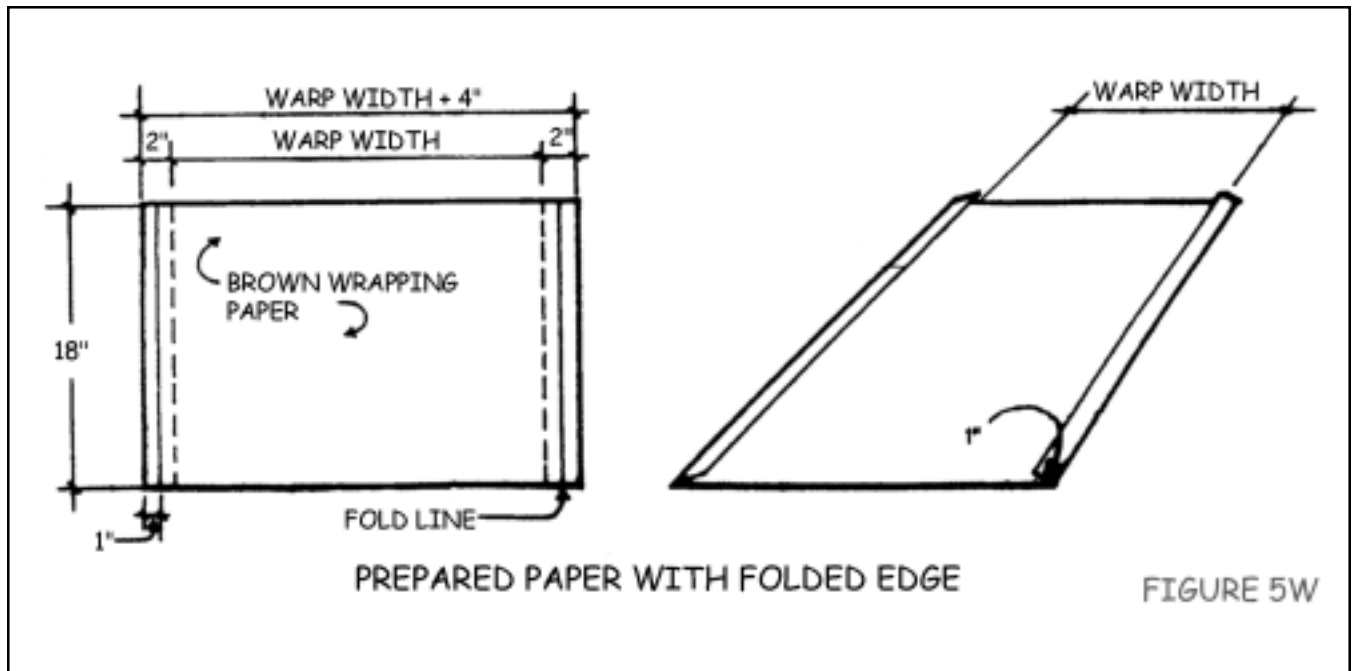


If you are using an AVL raddle with a sliding cover, slide it on after the raddle is threaded and secure it with two or three cord ties so it can't come off. Remove the raddle cross sticks when this is completed.

## WARPING THE PLAIN BEAM

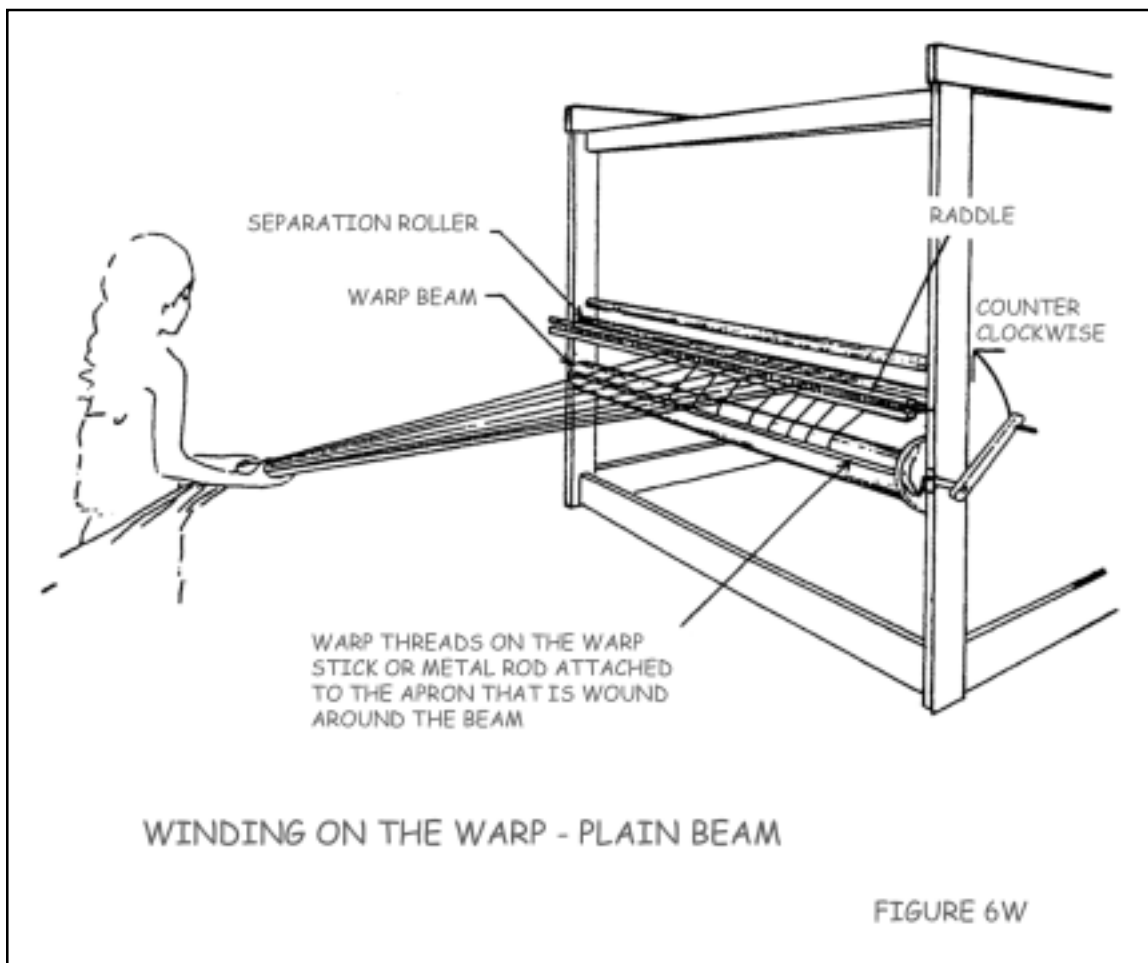
### Preparing the Paper

Prepare the paper for winding between the warp layers. Again, for the most professional results, and fewer tension problems, we suggest that the warp be as smooth, tight, and compact as possible. This would mean not using corrugated paper or sticks as they will make the warp too fat and/or lumpy. Corrugated paper is just too soft and the warp can never be wound tight enough with it. Heavy wrapping paper works well; seventy pound craft paper is good. If you are going to be using smooth, slippery warp yarns like fine linens or perle cottons, the edge yarns are going to need extra help in order not to slip off themselves. To do this, cut your paper four inches wider than the warp width and then fold over the edges an inch on each side. Be sure the warp is wound between the two folded edges not overlapping them.



## WARPING THE PLAIN BEAM

**Winding the Warp** | When winding the warp on from the back, i.e., with the warp spread out in back of the loom, turn the crank in a counterclockwise direction so that the warp comes in from the bottom (see Figure #4w).



Remember, wind the warp on **tightly** under a lot of tension. This will vary with each warp material, but a good rule to remember is that the tension of the wound on warp must be greater than the tension during the weaving operation. You will need one person to hold a warp under tension on the back and one person to wind the warp on the beam using a handle. The person winding the warp can also insert the paper. For a wide, heavy warp, several helpers may be required.

If you have to do it yourself, you can use the jerking method. Make one turn around with your beam crank and then go to the back of the loom and jerk one section at a time to make the warp that is already on the beam tight. The idea of this method is that the warp does not need to be under tension all the time, but the part that is on the beam has to be tight. Make another turn, go to the back of the loom and jerk all the sections again and so on. If you have a wide warp, you might need to do up to ten jerking motions after each turn.

## WARPING THE PLAIN BEAM

---

### **Threading Cross**

When you come to the end of your warp, insert lease sticks in your threading cross.

Now remove the ties from each individual threading cross and spread the warp out on the sticks.

### **Remove the Raddle**

When the warping is completed, free the warp from the raddle. If you have an AVL raddle, first untie the security strings, lift the raddle top off, and remove the warp from the raddle. Afterwards, replace the top on the raddle and leave it in its place on the back of the loom if so desired as it will not interfere with the weaving process. Then be sure to bring the end of the warp around the separation roller so that it now travels into the loom (see Figure #17w, page 4-2).

### **Two Beams**

For those who ordered the second plain beam, it is wound in exactly the same manner as the first warp beam except if you put a second beam in the top position, the warp goes under the second warp beam separation roller and up to the top warp beam.

---

**WARPING THE  
SECTIONAL  
BEAM**



### Sectional Beam Calculation

The AVL sectional beam is designed to be warped in sections with the use of a tension box. The yarn travels directly from cones or spools which are mounted on a rack behind the loom, through the tension box, and onto the beam. Throughout the warping process, the tension box automatically keeps a constant and uniform tension on the warp. Not only does this system save time, but it makes it possible to wind on very long warps which would never fit on a warping board or reel.

First, you must calculate the number of spools or cones of yarn you will need. Each section is wound onto the sectional beam separately, therefore, you'll need to have one spool or cone for each end in that section (if your section is 2" wide, with sixteen E.P.I., that would be thirty-two spools or cones of yarn).

**NOTE:** It used to be that all sections were 2" wide. On an AVL sectional beam with metal pegs, you can decide to use 1", 2", or any number of inches sections. You can simply add more pegs in the pre-made holes or take them out.

To prepare for sectional beam warping, we need to calculate:

- a) how many spools we need to wind
- b) how many yards do we need to wind on each spool
- c) total yardage for the project

a) NUMBER OF SPOOLS?

Sectional beaming requires the use of as many spools loaded with thread per individual section as your planned sett in the reed dictates.

To calculate the actual number of spools required, we need to know:

- how many EPI are we going to use in the fabric
- what SIZE SELECTION will we have to use in the fabric

If your warp is set at 24 epi per 1", you will need 24 spools for a sectional beam with 1" sections or 48 spools for a beam with 2" sections.

Therefore we can say:

**# OF SPOOLS = EPI x SIZE OF THE SECTION**

b) NUMBER OF YARDS PER SPOOL?

To calculate the number of yards per each spool, we need to know:

- the LENGTH OF THE WARP
- NUMBER OF SECTIONS on the beam

We calculate the number of sections by dividing the WIDTH OF THE WARP by the SIZE OF THE SECTION. If the warp width is 40" and we are using 2" sections, our number of sections is 20.

All together, we can say:

**# OF YARDS PER SPOOL = LENGTH OF THE WARP x # OF SECTIONS**

## WARPING THE SECTIONAL BEAM

---

### c) TOTAL YARDAGE?

If it is a single color warp or if a color sequence is repeating in each section, the same spools or cones can be used to wind all the sections needed for the warp.

$$\text{TOTAL YARDAGE} = \# \text{ OF SPOOLS } \times \# \text{ OF YARDS PER SPOOL}$$

It is important to make these calculations in advance so that you can purchase your yarn in spools or cones corresponding to the amount of yardage needed on each. Sometimes this is not possible and you will need to wind your own spools from yarn that is in larger packages. For doing this, you will need empty plastic spools, a bobbin winder (preferably electric), and a yardage counter. These items are available from AVL.

### Extension Cords

You might want to make a permanent set of extension cords to use when warping the sectional beam. Extension cords are also called apron cords and have the same function as the apron on the plain beam. They give you "reach" from the warp beam and allow you to weave every possible inch until the end of the warp touches the last shaft you are using. Make them out of a strong non-stretchable linen or cotton cord. You will need to make one extension cord for each section in your sectional beam. For each extension cord, cut a piece of cord. Take the two ends of the cord and knot them together. Measure to make sure that they are long enough to reach all the way to the harnesses. All extension cords should be exactly the same size.

When measuring the length of the cords, also check to be sure that when the cords are wound on to the beam, the end of the loop and any knots in the cords fall between the crosspieces of the sectional beam, not on them. A sectional beam is usually not solid. It is a frame that has metal pegs. That way you can keep the warp smooth on the beam without going over the knots of threads.

### Feeding the Spool Rack

Next, place a spool or cone rack about five or six feet behind your loom. Place the spools or cones for the first warp sections on the cone rack.

Make sure you put each thread through the metal eye on the spool rack so the threads do not get tangled.

When arranging the spools on the spool rack, it doesn't matter whether you go top to bottom or bottom to top, the important thing is to be consistent in vertical columns and to place the spools in the order that the threads are in the warp.

## WARPING THE SECTIONAL BEAM

---

### **Adjusting the Tension Device**

Before winding the sectional beam, make sure to disengage the tension system so that the beam will turn counterclockwise swiftly. To do this, unlock the tension rope from the spring and completely unwrap the plastic cord from around the tension beam drum. Also, remember to remove the weight from the tension arm.

### **Setting a Tracking System**

On the back of the loom, set a tracking system that will allow the tension box to travel from one section to another. The tension box is fastened to the tracking system with wing nuts. These can be released for the tension box to move. Once centered properly for a particular section, the tension box needs to be tightened again (for each section).

### **Tension Box**

The tension box is an essential warping tool which:

- a.) Puts threads under tension.
- b.) Spreads threads to the proper width.
- c.) Makes thread-by-thread lease.

## WARPING THE SECTIONAL BEAM

---

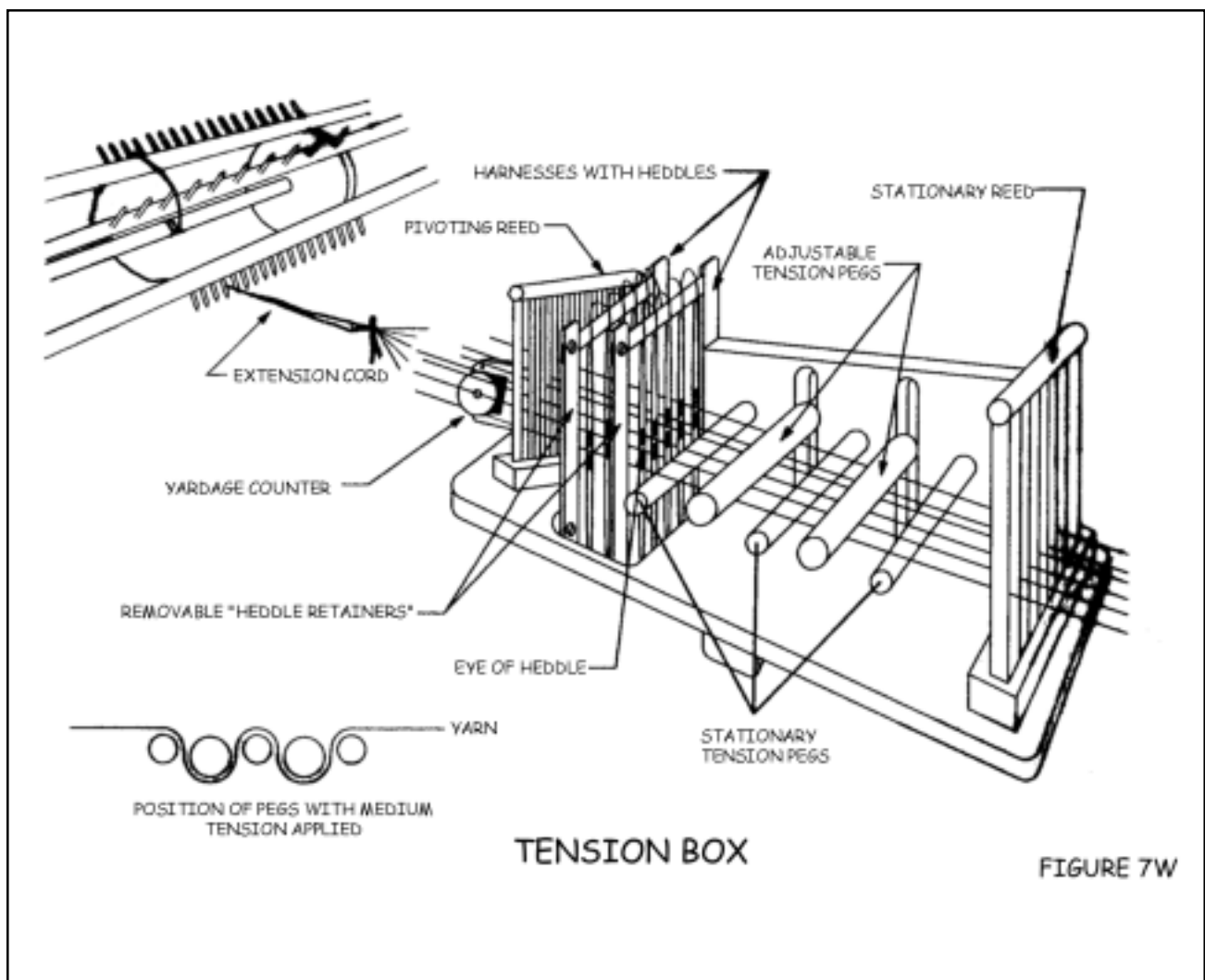
### Tension Box Heddle Installation Instructions

If this is your first time to use a tension box, you need to install heddles on the harnesses.

Your tension box is delivered with one bundle of one hundred heddles. These are held together with twist ties. Leave these on for now. Refer to Figure #7W to familiarize yourself with the tension box and its parts. Push down on one of the harnesses until it stops. This causes the other harness to go up. You will use that later for making a threading cross. Right now we'll need to use it to help in the assembly of the heddles to the harnesses.

- a.) Remove the "heddle retainer" of the harness that is up, using a phillips head screwdriver.
- b.) Notice there are four twist ties holding the heddles together. Separate the top two. Insert the top bar (of the harness that is up) into the space created by pulling apart the twist ties. Insert the bottom bar (of the harness that is up) into the space created by pulling apart the bottom two twist ties, making certain that the heddles aren't twisted. Now remove the twist ties.
- c.) Count off fifty heddles and cut the loop at the top between the 50th and the 51st heddle.
- d.) Now put the four twist ties back on the fifty heddles that were the last to go on the harness.
- e.) Remove these fifty and reattach the "heddle retainer".
- f.) Now push down on the harness that is up, making the other harness come up.
- g.) Remove the heddle retainer.
- h.) Pull apart the top two twist ties and insert the top of the harness (which is up) into the space created. Pull apart the bottom two twist ties and insert the bottom of the harness into the space created.
- i.) Reattach the heddle retainer.

## WARPING THE SECTIONAL BEAM



### Threading the Tension Box

The best way to thread the tension box is to take one thread from the cone rack and thread it all the way through all the parts of the tension box, then the next thread all the way through. It works best to use the threads from the rack in a vertical order rather than a horizontal order.

Now let's go through the sequence for threading the tension box. First, move the two adjustable tension pegs up above the stationary pegs as shown in Figure #7W or remove them completely. Now sley the thread through the rear (stationary) reed section using a sley hook. Since this reed is eight dents per inch, you will divide the E.P.I. into eight to find out how many ends will be in each dent (with sixteen E.P.I., put two ends in a section). If your E.P.I. does not divide equally by eight, you can either vary the number of ends in each dent (with twenty E.P.I., alternate two and three ends in the dents) or thread the dents a little wider than two inches (with twenty E.P.I., put two ends in each dent; with forty ends, the reed will be sleyed 2 1/2" wide).

## WARPING THE SECTIONAL BEAM

---

Next, bring the thread straight through the tension peg section in-between the larger adjustable tension pegs and the smaller stationary pegs or just above the smaller stationary pegs if you have removed the larger ones.

Next, thread the end through the two sets of heddles. The first thread goes through the front set of heddles and the next thread goes through the rear set of heddles. Repeat this alternating heddle threading for the rest of the ends. The heddle system will be used later to create the threading cross.

Now thread the end through the front pivoting reed. Here you have a choice of using an eight dent or ten dent reed. Pick the one that can be sleyed evenly and as close to the desired section width. If you can not get the exact width of the section, sley your reed slightly wider. This will make it just slightly wider than the space between the pegs. The section will be narrowed down by pivoting the reed. Never sley the reed narrower than the section on the beam. There is no way to expand it. After the tension box is completely threaded, the larger pegs are moved downward to apply tension. The further down they are moved, the more tension will be applied to the yarn. This is an adjustable system as different yarns require more or less tension. With a heavy wool the pegs may only need to be moved half way down, whereas with a fine silk, the pegs may need to be moved all the way down and the yarn wrapped an extra time around one of the stationary pegs to get the proper tension. Once you have adjusted the tension correctly, do not change it during the winding of the beam, as long as you are using the same type of yarn.

Once the tension box has been threaded, it is not always necessary to rethread it. If you need to change spools or cones, simply tie the new ends on to the old ends just before the rear stationary reed, then gently pull on the old ends until the new ends have come all the way through the box.

## WARPING THE SECTIONAL BEAM

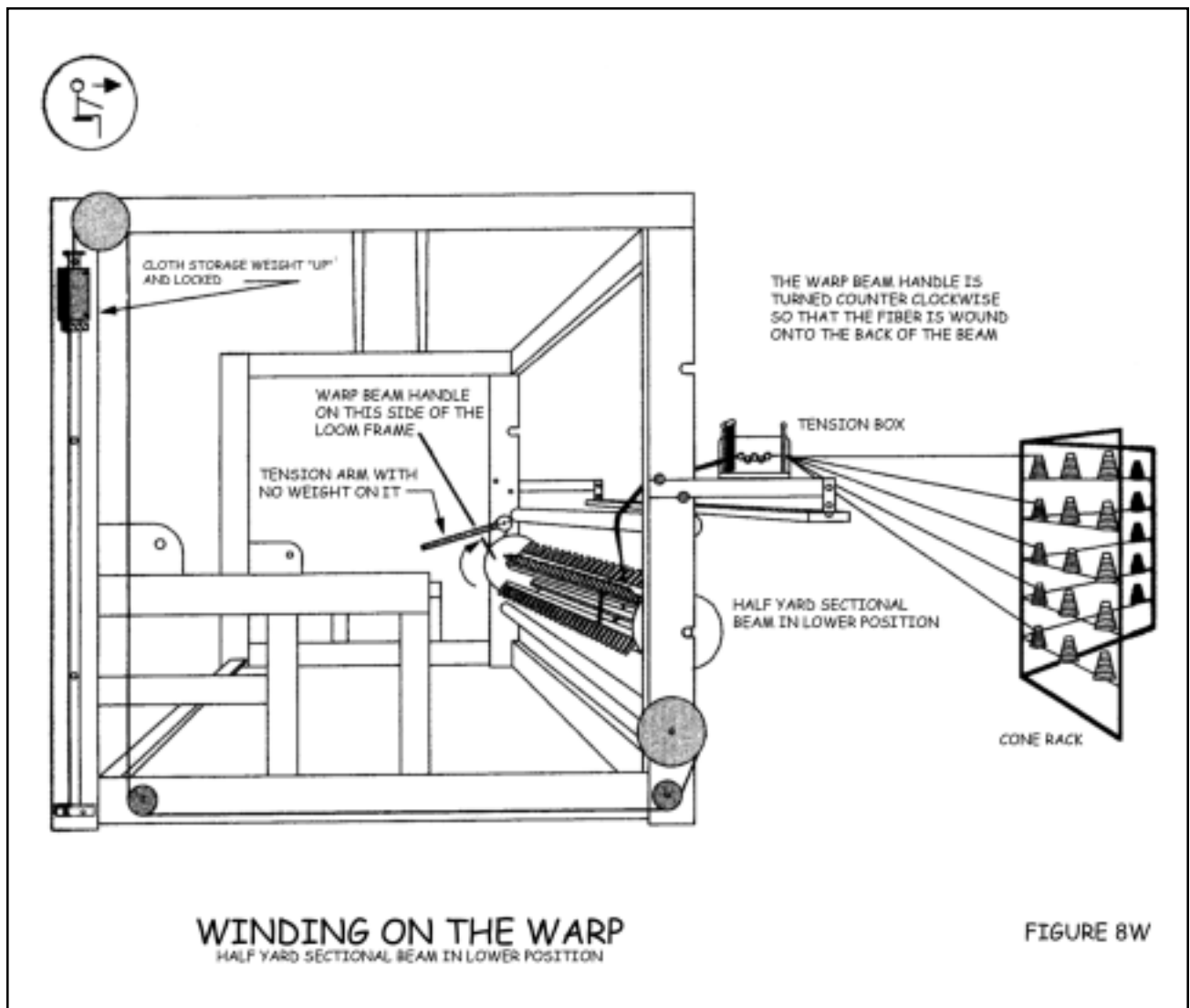
### Winding the Warp

Before you start winding the warp, attach the section of the warp to an extension cord, tie an overhead knot in the warp threads from one section and slip that knot into the opening of the larkshead knot you created in the extension cord.

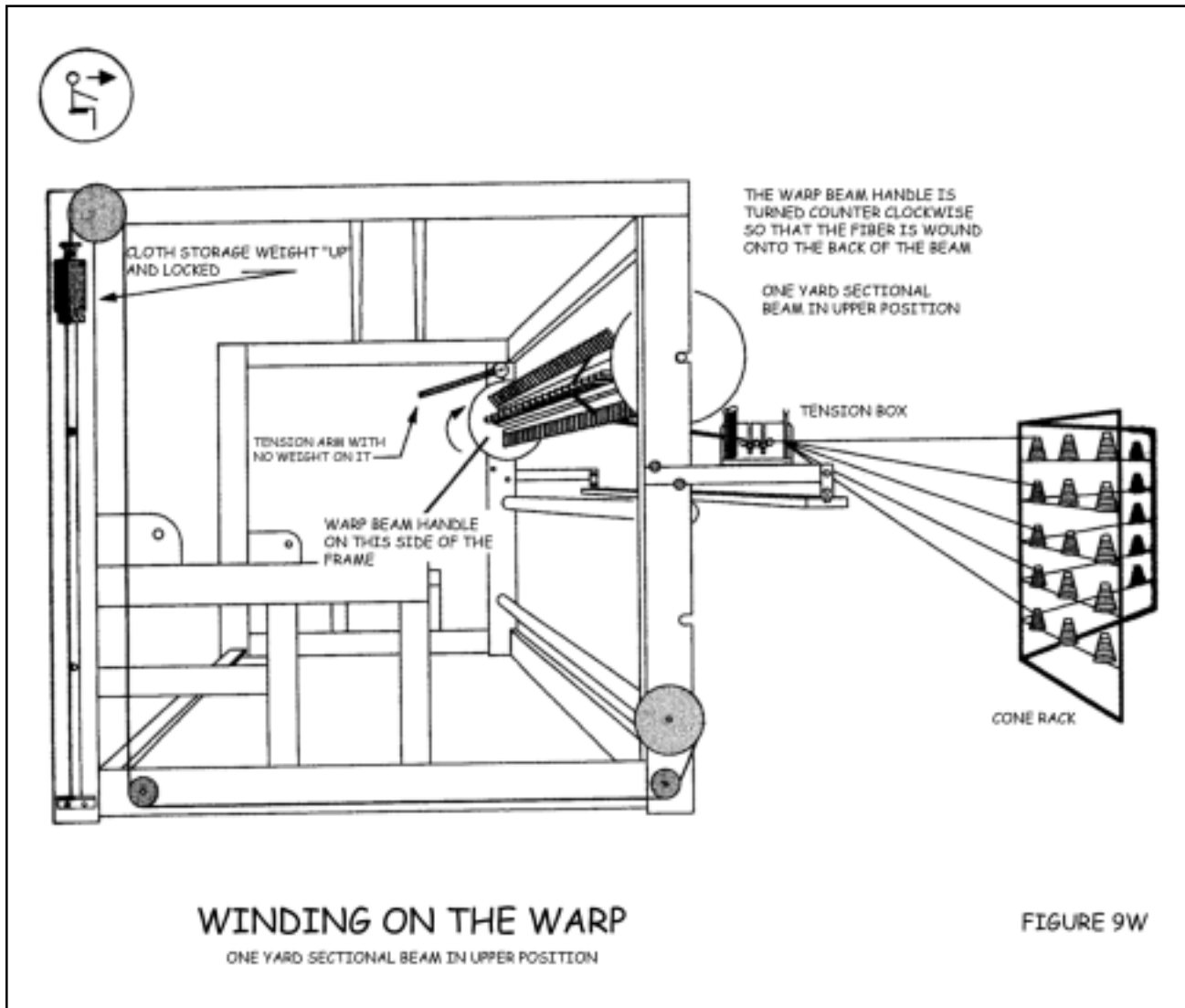
Pull it tight.

**NOTE:** If you will be using a flyshuttle and are planning a narrow warp, you need to offset the warp 4" to the right instead of centering it. (Remember, "the right" refers to the right side of the loom as you are seeing it from the weaving position at the loom bench.) This offset will ensure even selvages.

See pictures 8W and 9W for routing the extension cords towards the tension box from the bottom beam position and the top beam position.



# WARPING THE SECTIONAL BEAM

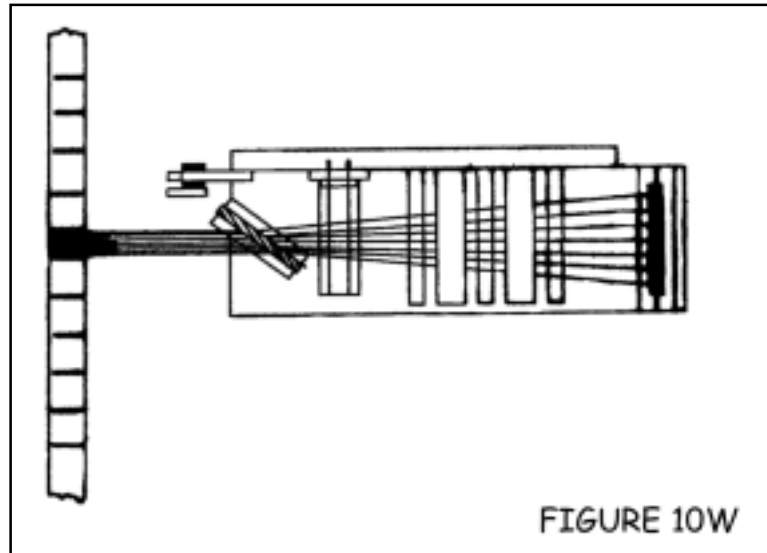




## WARPING THE SECTIONAL BEAM

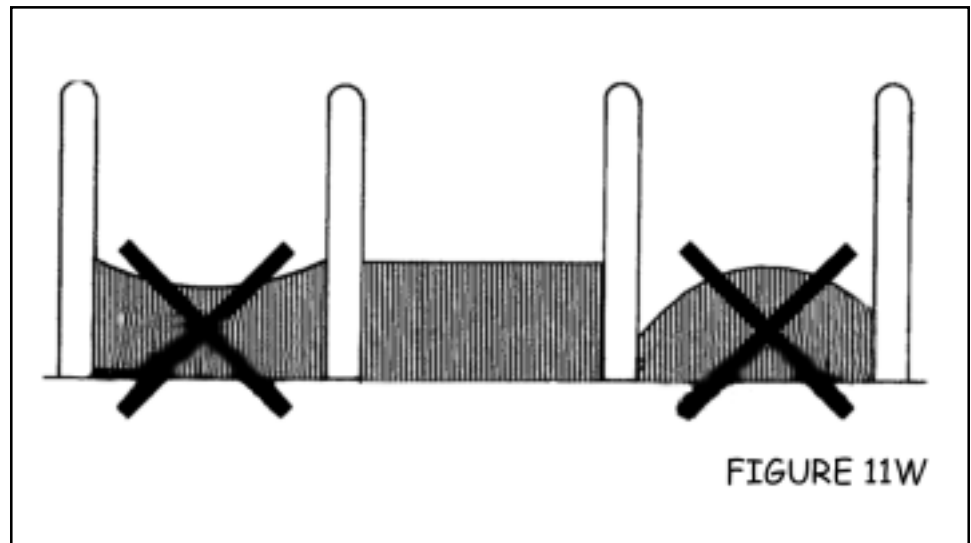
### Adjusting the Size of the Section

Line up the tension box approximately behind the section you will be winding. Now wind about one yard onto the beam. As you wind, you will need to fine tune the placement of the tension box along the track. When it is centered properly, tighten down the wing nuts under the tension box. At this point, you can pivot the “pivoting reed section” so that the yarn comes close to, but doesn’t quite touch, either the peg to the left or the peg to the right. Now tighten the wing nut under the pivoting reed. This shouldn’t need to be readjusted until you are using yarn of a very different size.



Extra care to correctly center and adjust the width of each warp section will result in more perfect tension while weaving.

Make sure that the threads are going on to the beam in flat layers. If you notice that warp piles up at the pegs, the section of the warp is too wide. If the warp falls down at the pegs, the warp section is too narrow.



## WARPING THE SECTIONAL BEAM

If any of the above is happening, go back and pivot the front reed on the tension box again until you get perfectly flat layers. This is very important, otherwise you will end up having different length threads in one section, since the circumference of the beam within the section is not going to grow evenly. Therefore, you will end up having lots of tension problems.

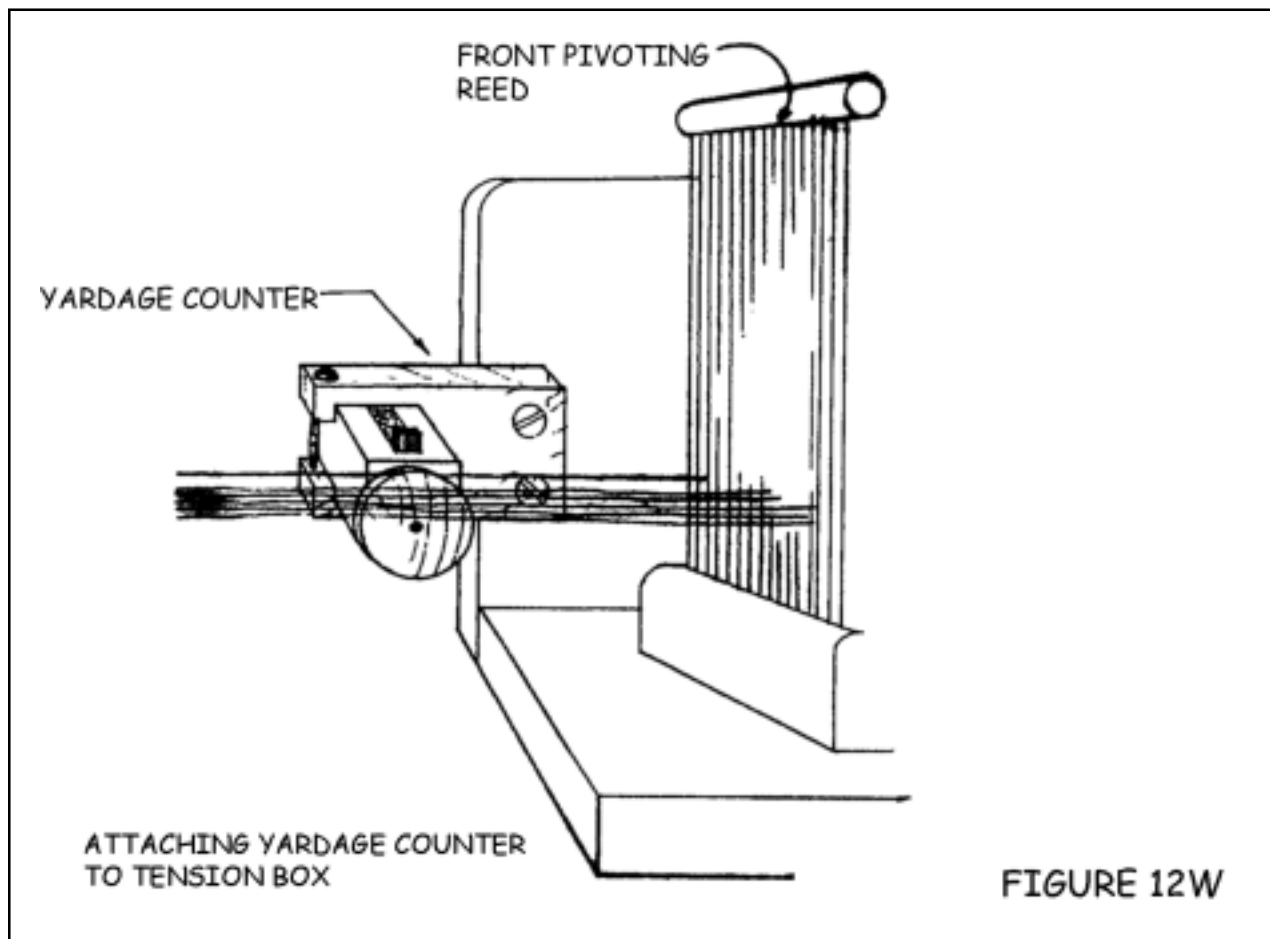
### Counting Turns or Yardage

To determine the length of the warp you are putting on the beam, you need to count either turns, revolutions, or yards.

To count turns, you can do it in your head, but it is more reliable to use a digital or mechanical revolution counter.

Counting revolutions even with a digital counter will still give the approximate warp length only, because the circumference of the beam will increase slightly with each rotation. This is called beam build up.

To count yards with a yardage counter while warping the sectional beam, you need to place the yardage counter at the front of the tension box. You should use an extra thread for measuring yardage, because if you use one of the threads from your warp section, that particular thread would have a different tension once you start weaving. The extra thread you use for measuring purposes only can be reused for each section.



## WARPING THE SECTIONAL BEAM

---

### Creating the Cross

When there is about a half yard left to be wound onto the beam, it is time to make the threading cross. Simply push on the rear heddle frame of the tension box, making half of the threads go up and the other half go down.

Now slip in an eight inch piece of contrasting thread (called a marking thread) through the opening (called a shed) created between the threads above and the threads below. Locate this marking thread about half way between the tension box and the separation roller.

Now push on the front heddle frame, making the other half of the threads go up. Now take one end of your marking thread and bring it through this shed. The two ends of the marking thread should now be together. Tie them in a bow knot. Wind the rest of the first section on, cut the ends, and secure to the wound on thread using a rubber band over the pegs.

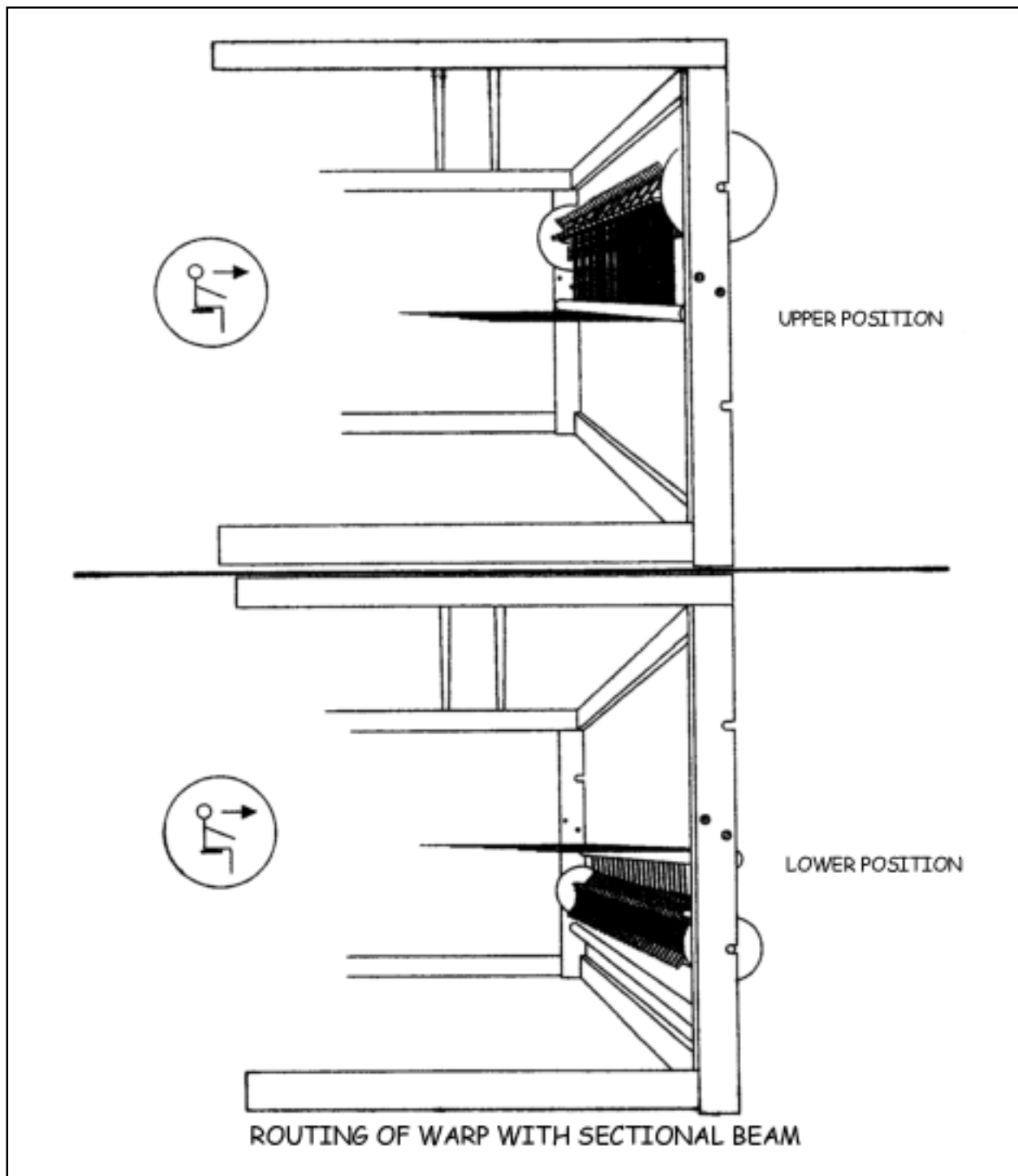
Continue winding all the sections in the same manner by moving the tension box along its track.

### Sticks in the Treading Cross

When all the winding is complete, remove the rubber bands, unwind a few feet of warp, and slip one lease stick through the path created by the upper portion of each marking tie. Now slip another lease stick through the path created by the lower portion of each marking tie. Secure the lease sticks together, leaving about two inches between them, using masking tape or string through the end holes of the lease sticks. Now bring the lease sticks, with the warp ends, around the separation rollers. If you have a beam in the upper position, the warp will be routed **under** the **upper** separation roller. If you have a beam in the lower position, the warp will be routed **over** the **lower** separation roller (see Figure #13W).

### Routing the Warp

## WARPING THE SECTIONAL BEAM



### **Readjusting the Tension**

Now tie the lease sticks from the top of the loom so that they are at eye level when you are in your threading position.

To keep the warp from slipping forward during the threading process, rewind the tension rope around the pulley and tension drum and clip the rope end to the spring. Remember to replace the tension weight at this time.

### Combining Sectional and Plain Warping

If you are winding a very fine warp, say forty ends to the inch or more, and do not have or do not want to wind a lot of spools or cones, it may be more convenient to wind separate warp sections on a warping board or reel and go from there directly to the sectional beam. If you decide to do this, however, your warp will be limited in length by what will fit on the warping board or reel. If you choose this method, follow these steps:

- a) Calculate number of threads for each section on your sectional beam.  
  
On the warping board or on the warping reel, make “baby warps” for each section on your beam (if you are using a warping board, you will be limited in length).  
  
Make crosses at each end: raddle cross on one side and thread-by-thread cross on the other.
- b) Take the warp off the board or reel by taking off the thread-by-thread cross first.
- c) Put the warp threads from a first “baby” warp in the raddle, making sure that threads are spread evenly and that they are creating flat layers when wound on the beam. Put the raddle top on or secure warp threads with rubber bands.  
  
Instead of a regular raddle, you can put a mini-raddle in place of the front reed on the tension box. In this case, the tension box is used only for guiding threads into the sections. You do not thread threads in the tension box through the harnesses nor through the back reed and you do not adjust tension with the pegs.
- d) Attach each baby warp to the extension cords and proceed as in regular sectional beaming procedure.
- e) Since you are not using the tension box for tension, be sure to keep it taut manually.
- f) When you come close to the end of the section, take the reed cover off and continue winding the rest of the baby warp.
- g) Secure that section to the beam and continue to the next one.

---

# **TWO OR MORE WARPS**

### **When Do You Need To Tension Your Warps Separately?**

There will be times when you will want to use more than one warp, which can not be put together on one beam.

You will have to put them on separate beams or use some kind of separate tension systems.

When weaving:

- a) Very different size yarns.
- b) Yarns with different stretching qualities.
- c) Different densities.
- d) Different structures.
- e) Supplementary warp techniques (because some warp threads do not interlace as often as others).
- f) A group of special yarns for selvages and borders.
- g) Loops, piles, or puckers like seersucker.
- h) More than one layer with different setts in each layer.
- i) More than one layer with a different pick count in each layer.

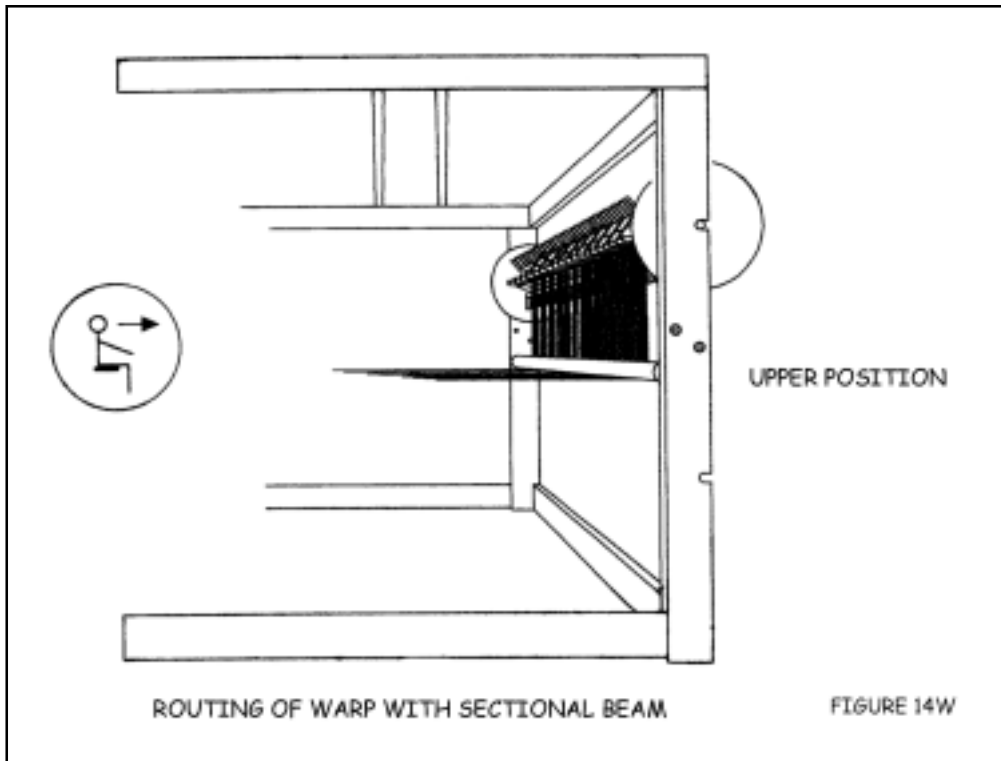
### **Setting Two Beams**

If you are confident in setting one beam, it is just as easy to set up a loom with two beams. It might take twice as much time and you do need to be more careful not to mix sequences.

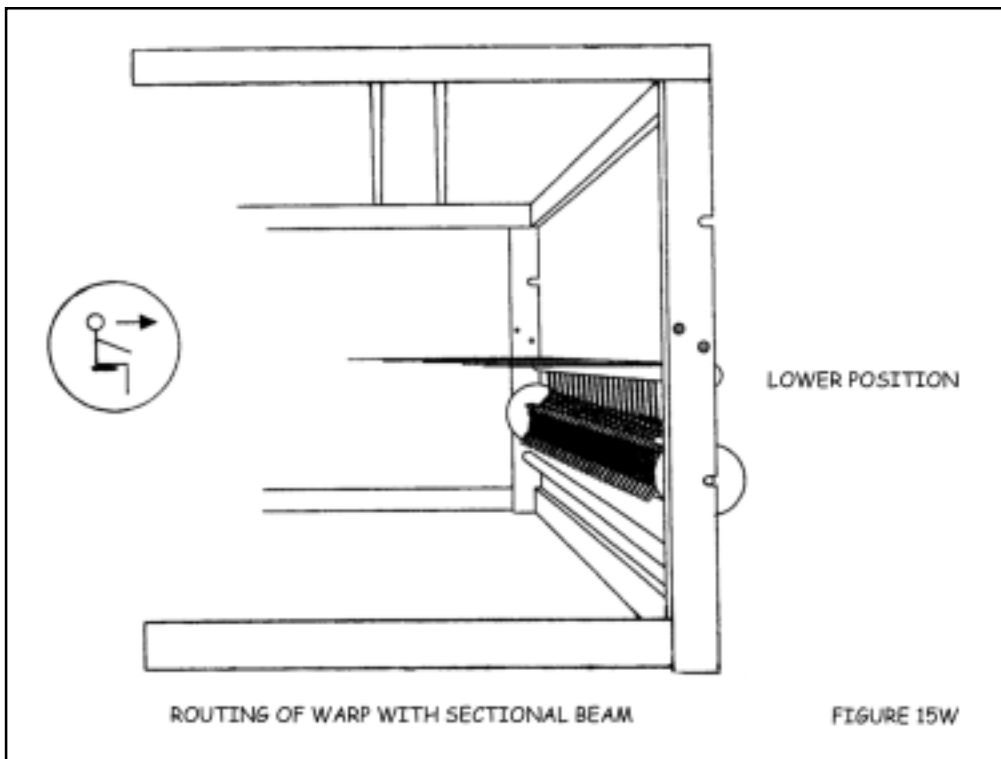
- a) Wind each warp on the beam the same way you would do it if there were only one beam on the loom (plain or sectional). Make a cross and have a pair of lease sticks with a cross in each warp.

## TWO OR MORE WARPS

- b) Bring the warp with the lease sticks from the top beam around and under the top separation roller.

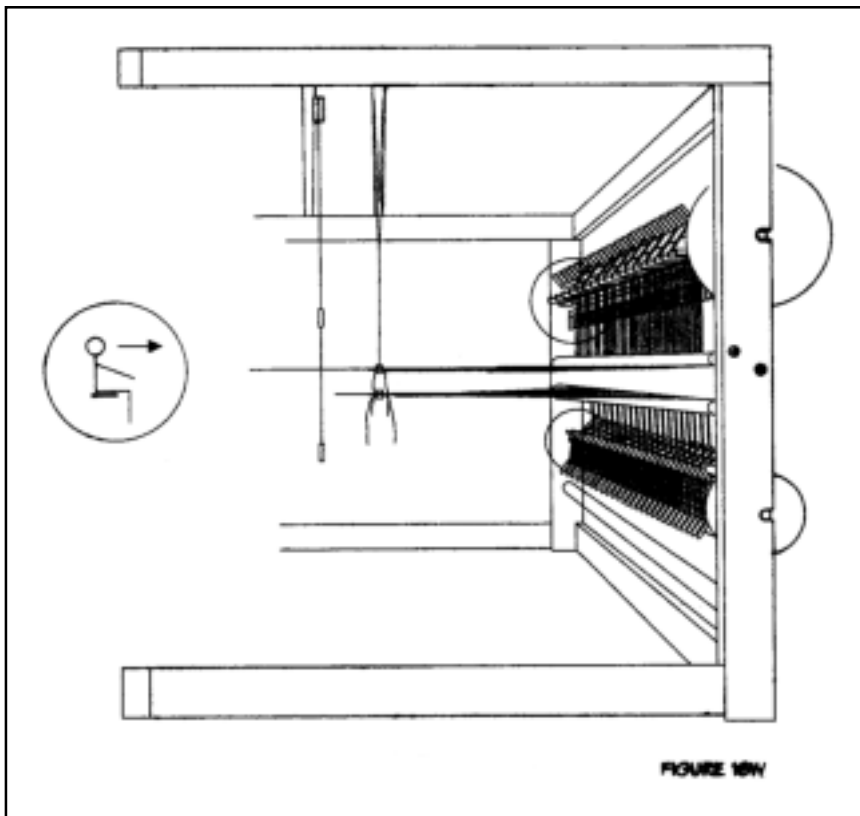
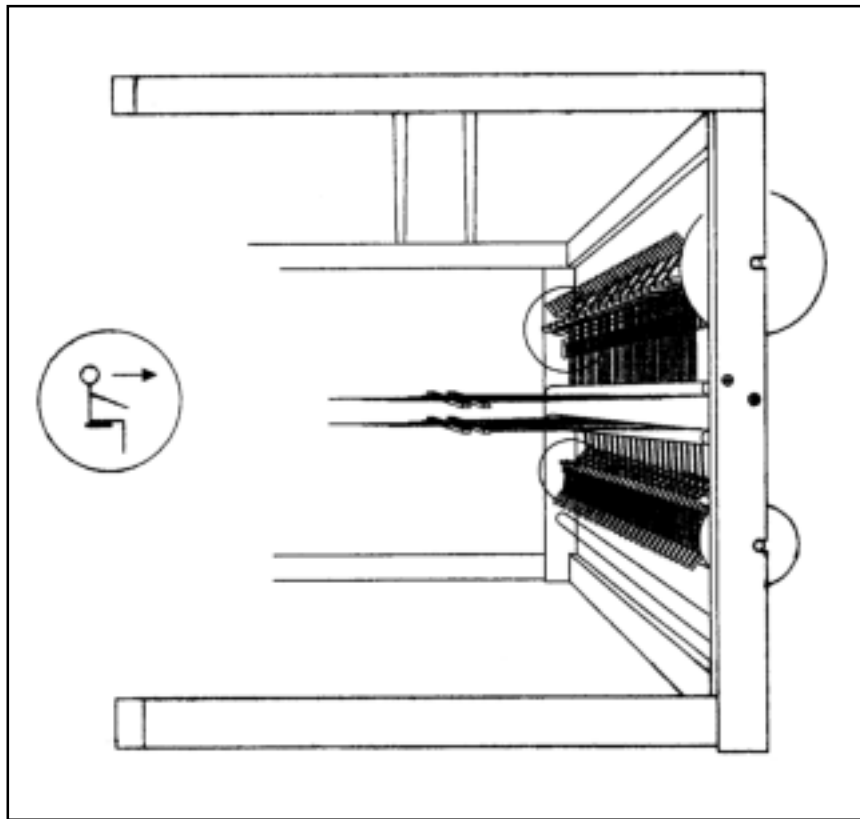


- c) Bring the warp with the lease sticks from the bottom beam around and above the bottom separation roller.





- d) Hang both pairs of lease sticks, one a little above the other, so you can see each lease from the threading position.



## TWO OR MORE WARPS

---

### **More Than Two Warps, Separate Tensioning**

- e) Proceed with a threading as if you only had one beam/one cross, following your threading instructions and taking special care of which thread from which pair of lease sticks comes next.

If you have more than two warps to set and not more than two beams, you need to weight/tension your additional warps separately (do the same if you only have one beam and more than one warp to set).

- a) Make your warp sections on the warping board and take them off the board in a chain, on a kite stick, or just in a plastic bag.

Make sure that each bundle is not too thick. You will know when you need to divide each bundle if you feel that all the threads are not being tensioned evenly.

- b) The weight needs to have a strong loop of string on it so the warp bundles can be slip knotted into it. This makes it easy to undo the slip knot and move the weight when it climbs up to the back beam and must be let down again.
- c) The weight also needs to be adjustable. Plastic bottles with handles filled with water are perfect. You can also use fishing weights, washers, nuts, bolts ... They are not as easily adjustable like water bottles, but take less space. The lower to the floor you can hang them, the less often you need to reposition them.

---

**THREADING,  
SLEYING,  
AND TYING ON**

## THREADING, SLEYING, AND TYING ON

### **Preparation for Threading**

To prepare for threading, tie the threading cross sticks up to the rear harness pulley support with lengths of string so that the cross is in a comfortable and visible position for threading.

### **Threading Position / Over-head Beaters**

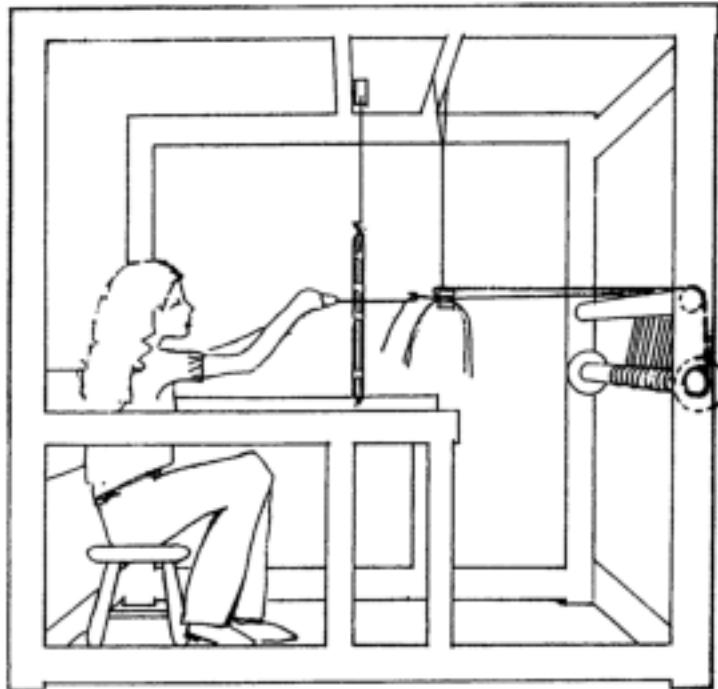
For those with overhead beaters, threading can be done sitting up on the bench with the overhead beater and cloth beam in place. If you have a sandpaper beam, place a cloth over the cloth beam so that the abrasive surface won't scratch you. You may also find it helpful to raise the harnesses. To raise the harnesses, pull the dobbie arm down to the bottom of its slot. To secure the arm in this position, simply insert the steel stop pin that is hanging from the back of the dobbie into the hole just above the top of the dobbie arm. On the bottom of the dobbie unit are 16 cable ends corresponding to the 16 harnesses or 24 cables for 24 harnesses. In turn, pull each cable end downward on each cable into its slot in the arm, thus raising the harnesses. Make sure to lower the harnesses again when threading is completed. Never remove the stop pin from its hole while any harnesses are lifted as this will cause the harnesses to drop too rapidly.

It is helpful to remove the beater top and reed for the comfort.

The important thing in threading is your comfort. Take the time to position everything so that your body feels at ease while threading.

### **Threading Position / Bottom Swing Beaters**

For those with looms with floor mounted beaters, another threading position is possible which may prove to be more comfortable (see Figure #17w). First lift out the beater, then remove the front cloth beam by unscrewing the upper left bolt in the cloth beam support with a small wrench. Remove the lower bolt on the side of the built-in bench and tilt it to a vertical position so you can use it as a back rest. Place a small stool on the floor in front of the bench. Taller people may want to raise the harnesses as described above. It is always worth the extra time to position everything so that threading will be as comfortable as possible.



NOTE:  
THE WARP BEAM  
SHOWN IS IN THE LOWER  
POSITION. THE THREADING  
POSITION IS THE SAME FOR  
A BEAM IN THE UPPER OR  
LOWER POSITION.

THREADING POSITION FOR  
FLOOR MOUNTED BEATERS

FIGURE 17W

## THREADING, SLEYING, AND TYING ON

### **Threading the Harnesses**

Now we're ready to thread the loom. If you are right handed, it is recommended to start at the right side of the warp. Grasp one group of ends in your left hand and your sley hook in your right hand. Direct the "hook end" of the sley hook through the "eye" of the first heddle you need to thread. Pull the thread through (for example, if you had a straight draft on eight harnesses, your first thread would go through the eye of a heddle on the 8th harness. The second thread would be threaded through the eye of the heddle on the 7th harness, the third thread through the 6th harness, and so on).

### **Unused Heddles**

After threading is complete, make sure that the unused heddles are all pushed to the far sides of the harness sticks between the screw eyes and the ends of the harness sticks. For balance, there should be approximately equal numbered groups of unused heddles on both sides of each harness. This is especially the case if you have PES heddles. In some cases such as a very wide warp with a lot of unused heddles on the ends of the harnesses, you may need to tie each group of unused heddles into a tight bundle with tie tapes or string to keep them from falling off the ends of the harness sticks or you may need to take heddles off the loom. In the first six months of using a new loom with polyester heddles, the heddles stretch out to adjust to the harnesses, and the heddles on each harness get stretched out to different sizes. For this reason, we do not recommend removing heddles from the loom for six months. When heddles are removed, they should be marked so they can be returned to the same harnesses. For the same reason, once the heddles have been on the loom for awhile, it is not a good idea to switch heddles to different harnesses. Mixing them up once they have been stretched would affect the evenness of the shed. What some weavers do with wide warps, in order to avoid having to take off extra heddles, is to distribute the unused heddles among the threaded heddles as the threading is taking place.

### **Sleying the Reed**

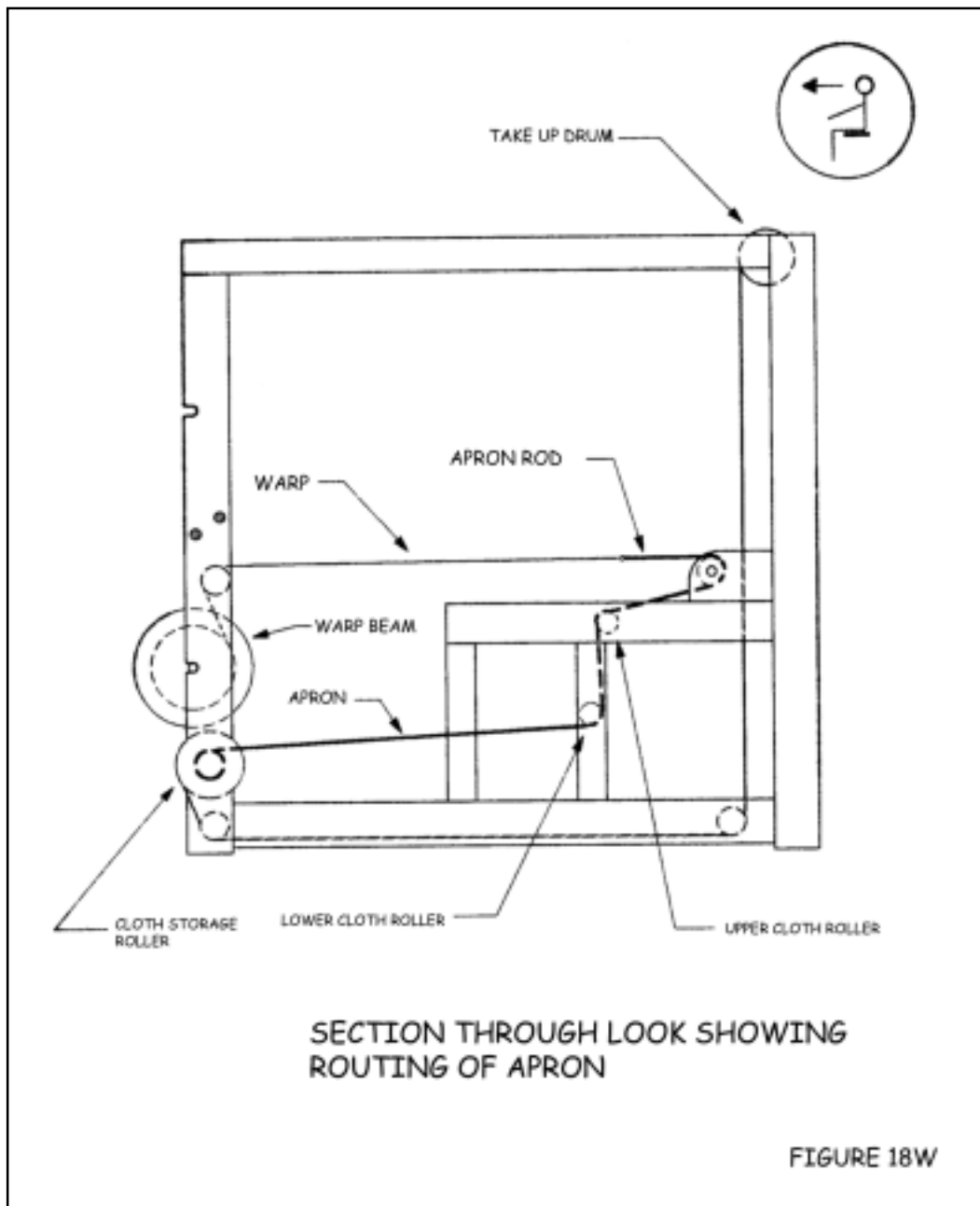
Now sley the warp ends through the reed. Some weavers start from the right side; some from the left; some in the middle. But, in all cases, be sure to measure accurately before starting so that the warp will be centered in the reed (or offset four inches to the right if the warp on the beam is already offset). Weavers have various ways of positioning the reed for sley.

### **Tying on to the Apron**

Now that you have your warp ends ready to tie, we need to prepare the apron. The ends will be tied to the apron rod.

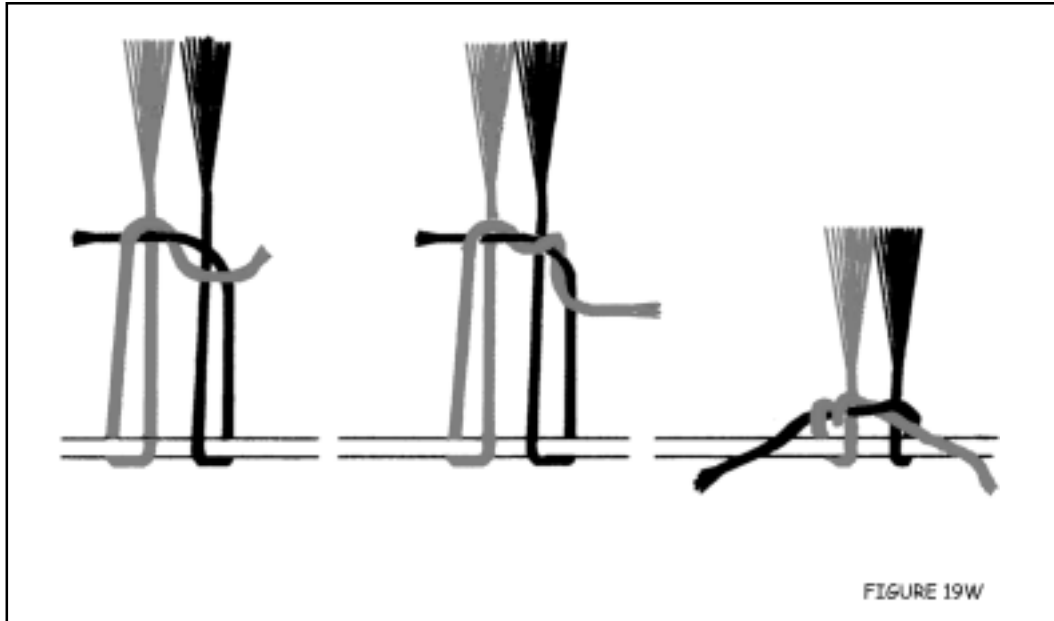
## THREADING, SLEYING, AND TYING ON

Notice that the apron has two hemmed ends. One end has openings in it and the other end has a plain hem. Take the end with the plain hem and lay it on the cloth storage roller (a black roller at the rear of the loom near the bottom). Making sure it is centered, tape the hem of the apron to the roller using masking tape. Then wind the apron once around so that it holds itself in place (see Figure #18w). Route the apron through the loom to meet the warp ends. This is done by bringing the free end of the apron over the treadle pulley assembly and around the bottom and front end of the lower cloth roller. Now up and around the upper cloth roller. Bring it up to and around the front of the cloth beam as shown in the diagram. Spread it out flat and center it over the cloth beam and insert the metal rod into the hem.



## THREADING, SLEYING, AND TYING ON

Now tie the ends to the metal rod. Starting from the middle, bring a first bundle toward you over the apron rod, then around and under it. Divide it in half and bring one half up on each side of the bundle. Use the ends to tie a surgeon's knot. It is the same as the first tie you make tying a shoelace, except you loop the end through twice. This kind of knot is very good for readjusting the tension.



Start with one section in the middle, then the far right and the far left outside ones. Work your way in.

By now, the sections that were tied first are quite a bit looser than the ones tied last. To correct this, you do not need to untie the knots, simply grasp the ends and pull them away from you, then re-tighten the knots. Repeat this until all of the section are at approximately the same tension.

### **Wrapping the Warp around the Sandpaper Cloth Beam**

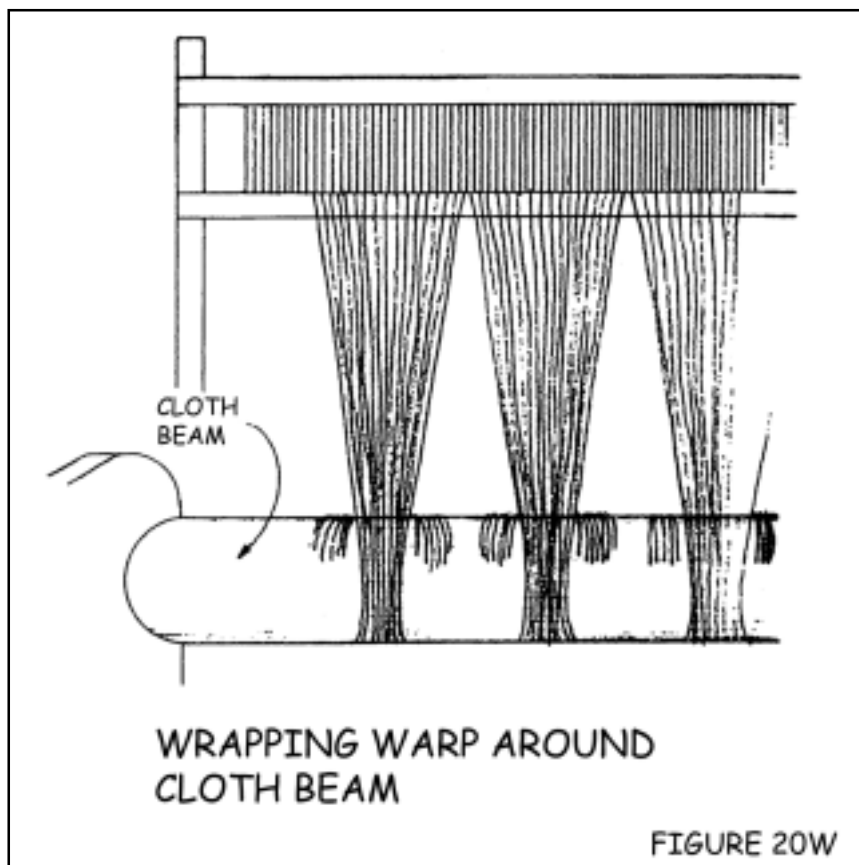
*Shortcut Method:* You can skip using an apron altogether if you are planning a short warp and are going to have your cloth build up around your cloth beam. Wind the warp beam forward (raise the tension arm while doing so) until enough warp is released so that the warp ends will extend about twelve inches past the cloth beam. Now take a group of ends about three inches wide with one hand and use the other hand to comb them “flat”. This can be done using a common hair comb. Starting at the reed, gently comb the yarn toward the ends until the yarn is flat and spread out. Now gently pull with the other hand to give it a little tension and lay it over the abrasive surface of the cloth beam (see Figure #20w). Repeat this procedure all the way across the warp. Now that you have nice even tension, you can wrap the ends (that were hanging down) around the bottom of the cloth beam.



## THREADING, SLEYING, AND TYING ON

This method is fast and usually quite accurate. However, there are certain warp materials that are not suitable for this method (see **NOTE** below). In that case, simply tie onto the apron as instructed above.

**NOTE:** The shortcut method does not work well with chenille. In fact, if you will be weaving with chenille warps regularly, we recommend the use of a "soft grip" cloth beam covering. This can be ordered through AVL.



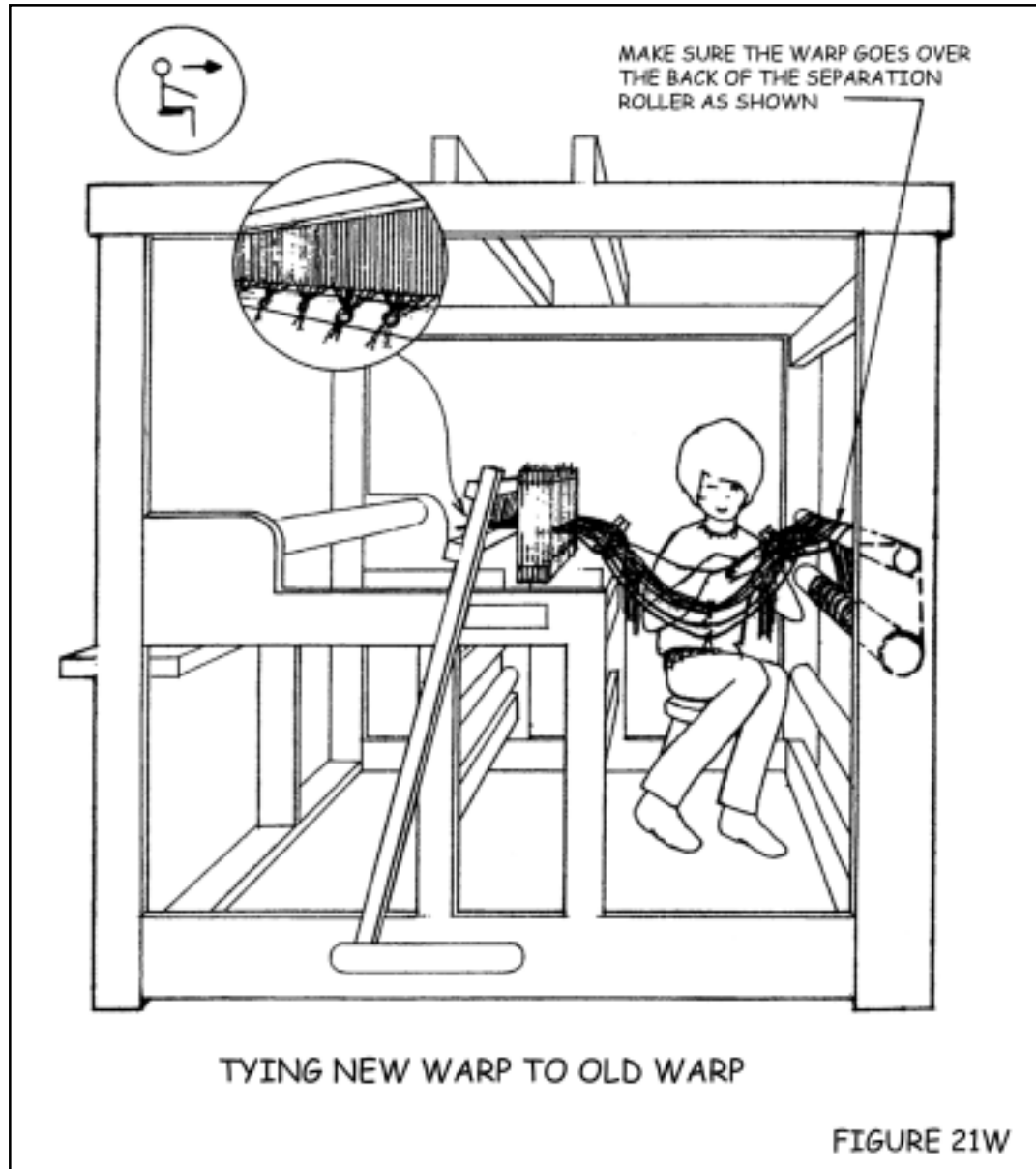
### Tying on to an Old Warp

A new warp can be tied on to an old warp, thus eliminating the threading and sleying process, if the new warp introduced into the loom uses the same threading pattern and E.P.I. as the last warp. This process is especially good for production weavers as it saves time. It also takes less concentration and there is less chance of making mistakes in threading.

The tying on process starts when you are finishing the last warp on the loom. Before you cut off the fabric, make sure to leave enough unwoven warp to extend one foot behind the harnesses, through the heddles, and about six inches past the reed when the beater is in its rear position. Now open two opposite tabby sheds and insert the lease sticks into these sheds **behind** the harnesses. Secure the sticks together with tie tapes through the holes. Now carefully cut the fabric from the loom and tie bundles of warp coming through the reed together so the yarn can't slip through. Cut the warp in back (leaving one foot past the lease sticks) and also tie bundles of yarn together for security.

## THREADING, SLEYING, AND TYING ON

After winding on the new warp on the beam, you can sit on a small stool placed in-between the harnesses and the back of the loom and tie corresponding yarns from the two sets of lease sticks together. An overhand or weaver's knot work well. This may seem slow at first, but you will work up a faster rhythm with some practice. A good goal to reach would be to tie 200 to 250 ends together an hour (see Figure #21w).



When all ends are tied together, go to the front of the loom and gently pull on the bundles of yarn going through the reed to pull the new warp through the heddles and reed. Then either tie on to an apron or simply wind the ends around the front cloth beam.

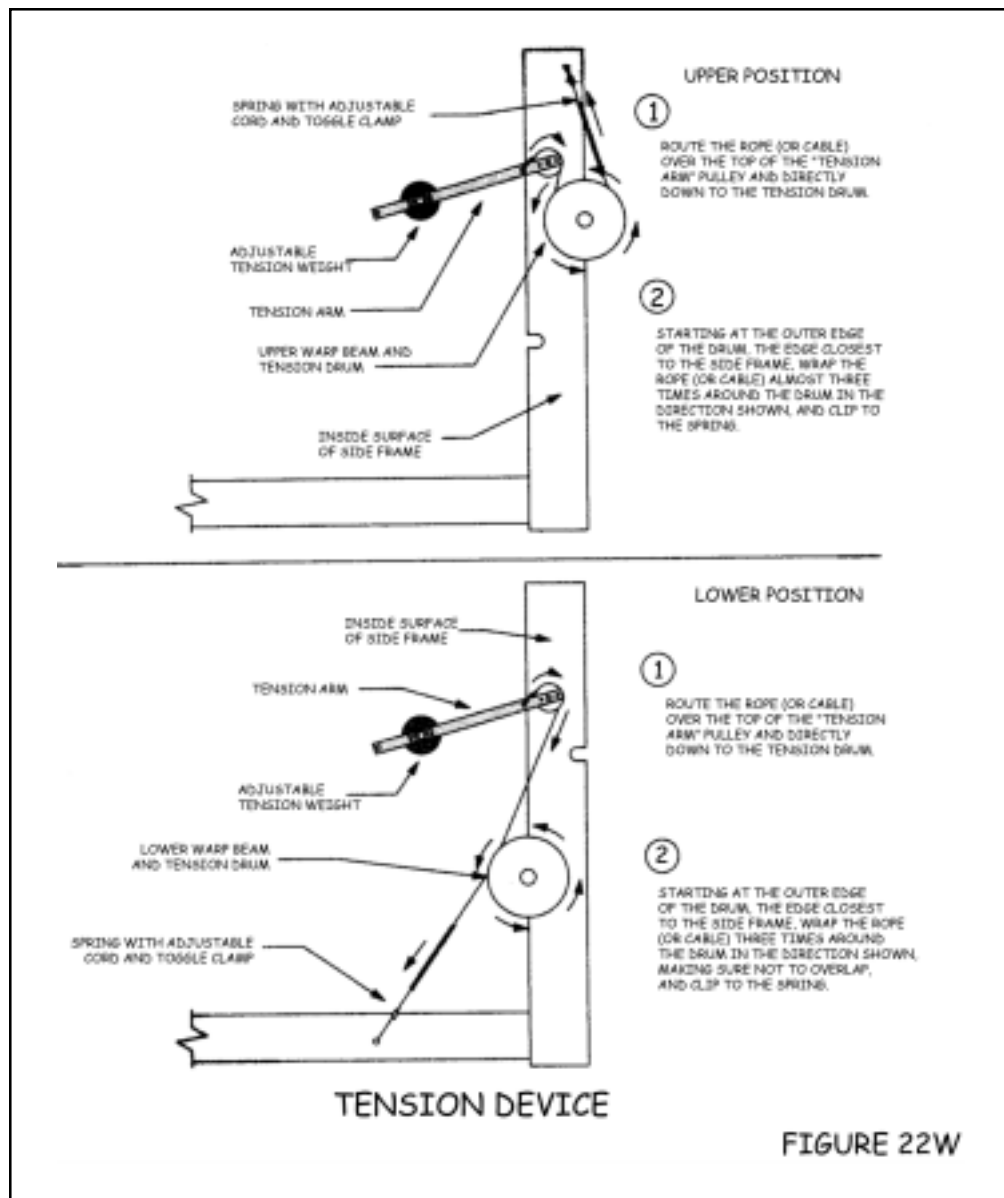
---

# **SETTING THE TENSION DEVICE**

## SETTING THE TENSION DEVICE

Warp tension on a full frame AVL loom is controlled automatically by a special weighted tension arm which insures a constant and even tension at all times. The tension is easily adjusted and the warp beam is released automatically as the cloth is advanced.

You should already have the cord wound around the tension drum and the cord end clipped to the spring. This should be done before winding the warp on to the plain beam to prevent the warp beam from turning backwards while winding on and threading. In the case of the sectional beam, the cord is entirely unhooked and unwound from the pulley and drum during the warp winding process. Then it is rewound and clipped on to the spring just prior to threading. Check with Figure #22w to make sure you are doing this correctly. The cord should make three turns around the drum and must start from the correct position. Always check to make sure the cord has not crossed over itself.



## SETTING THE TENSION DEVICE

---

To set the warp tension, move the weight to its rearmost position (next to the wooden pulley). Wind the warp forward slowly, using the ratchet handle on the cloth beam. Continue winding until the weighted tension arm rises and stops when the rope slips on the brake drum.

**Ideally, the tension arm should rise (as you advance the warp) to about 45 degrees above horizontal, then slip and rest at an approximately horizontal position.** If it stops above horizontal, let the adjusting cord out at the spring. If it stops below horizontal, shorten the cord. The length of the adjusting cord is changed by squeezing the ends of the small plastic toggle clamp together and then pulling the cord through it.

Now feel the warp for tension. If the warp is too loose, set the weight further out on the arm. Wind the warp forward a little and check it again. Once you feel you have attached the proper warp tension, make certain that the tension arm is rising and slipping correctly. If it isn't, tighten or loosen the adjusting cord as needed. You will find that you can weave with less warp tension with a weight control than with the conventional ratchet system. Once the correct tension adjustment is made, it will be maintained automatically as the weaving is advanced. For light, fragile warps, it may be necessary to use a lighter weight than the one that comes with the loom and for dense, heavy warps, you may have to add some weight to the arm. You can order half size weights from AVL Looms. This can be used by itself for very light tension or can be used with the existing weight if more tension is needed.

---

# **PEGGING THE DOBBY UNIT**

### **Dobby System**

The doobby loom provides the means for quickly and easily raising any number of harnesses in any combination by the alternate use of only two treadles. This is accomplished by the use of a chain of wooden bars which are placed in the doobby mechanism or “head” in which metal pegs can be easily inserted. Each wooden bar has a row of sixteen or twenty-four holes in it. The first hole on the left corresponds to the first harness, the second hole to the second harness, and so on. Each wooden doobby bar controls one shed and when a peg is inserted into a hole in a bar, it causes the corresponding harness to raise when that bar comes around into position by pressing on the treadles.

### **Creating a Tabby Chain**

The first pattern you can always choose to peg up on the doobby bars is a tabby weave. Tabby weave can always be used for the first inch of each new warp as a hedding and to check for threading or slewing errors. Create one chain of eight doobby bars and lay it flat on a table with the wider side with holes facing up. Use plastic strips with holes to connect the doobby bars into chains. Make your plastic strip one hole longer than the size of your chain. You will notice you have two sizes of pegs: long and short. Use short pegs only in holes where harnesses should not be raised, but where pegging is necessary to attach doobby bar to plastic strip. In the first bar (start at the top of the chain and work downward), place pegs in holes 1, 3, 5, 7, 9, 11, 13, and 15 using the special wrench provided. Then, holding the wrench handle, screw the peg (clockwise) into its hole firmly, but not too tightly (use the wrench again when removing pegs). Use the short peg in hole 16. In the second bar, place pegs in holes 2, 4, 6, 8, 10, 12, 14, and 16. In hole 1, use short peg. Continue repeating these two sequences until all the bars are pegged.

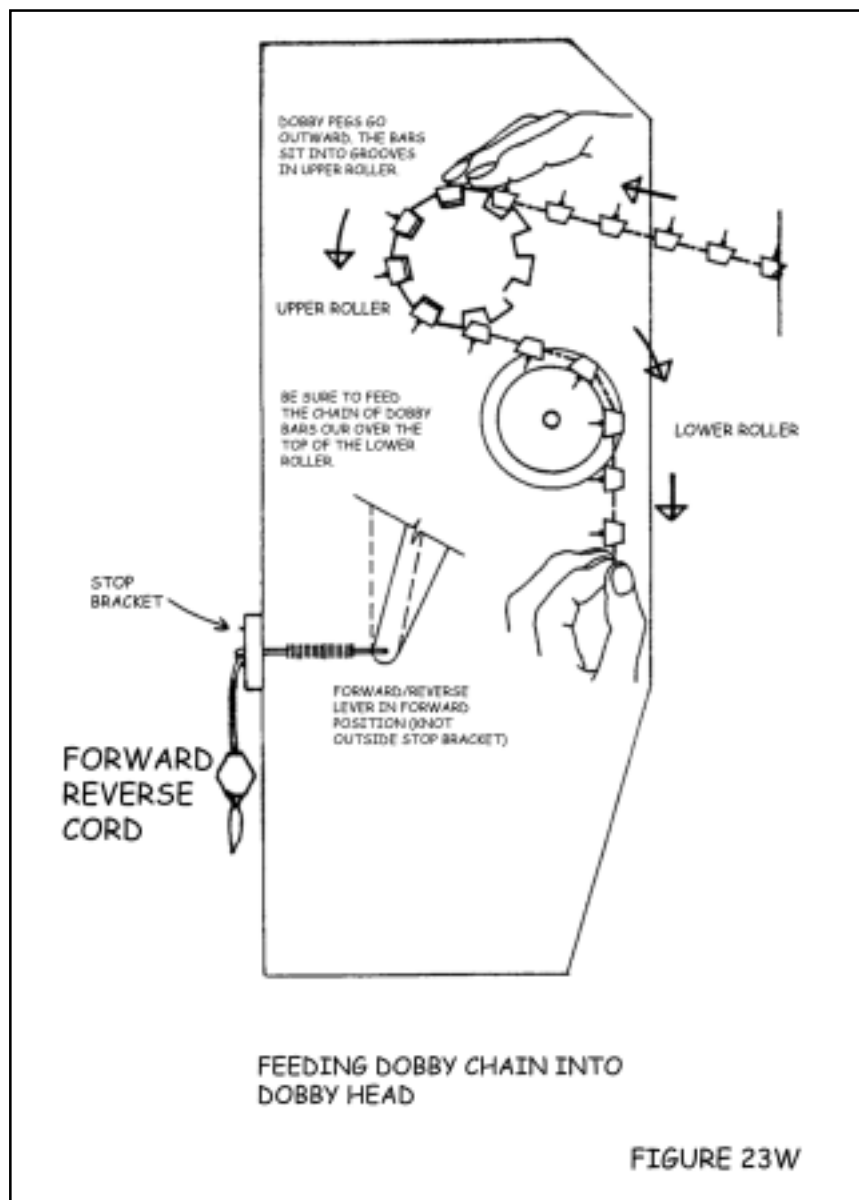
### **Feeding the Dobby Unit**

(See Figure #23w.) Now place the pegged up chain in the doobby unit. Note that in the doobby unit are two rollers: a large, grooved, upper roller and a smaller, lower roller with a metal rod. Next, find the forward/reverse cord. It is on the side of the box facing the front of the loom (see Figure #23w). There is a wooden pull hanging from the end of the cord. Pull this gently until the knot on the rope is caught on the outside of the wooden stop bracket. The large, grooved roller will now turn in a counterclockwise direction (assuming you are at the front of the loom).

## PEGGING THE DOBBY UNIT

Take your tabby chain and place the top few bars in the grooves in the upper roller of the dobbie box. Turn the roller toward the top of the loom so that the chain moves over the top of the roller and into the dobbie box. Place your fingers in the box under the upper roller and guide the chain so that it comes out over the top of the smaller roller which is underneath. This is very important because the dobbie chain will jam in the box if it does not come out over the top of the smaller roller. When enough chain is available fasten the chain together to form a continuous circle by removing pegs in the holes 1 and 16 on one side of your chain. Overlap the plastic strips and replace the pegs to secure the strips in place. You now have a continuous circle of bars.

If your chain is only eight bars long, it will only wrap around the upper roller, without touching the lower roller.





### Creating Chains with More Com- plex Structures

Next, you will probably want to peg up another chain with a more complex weave structure (a sixteen harness point twill is an easy one to try first). The first step is to draw up a “peg plan” which is a graph that shows the order in which the pegs are inserted into the dobby bars. The peg plan takes the place of the tie up and treadling plans used with conventional treadle type looms. Use the following procedure for determining your peg plan:

- If you are used to working in tie-up mode, determine the tie up and treadling plan for the weave structure you will be using as you would for a conventional treadle loom. Figure #24w, Diagram (A) is an example showing a typical pattern with its tie up on top and its treadling plan below. In the tie up, each vertical column represents one treadle (numbered one through sixteen from left to right) and each horizontal row represents a harness (numbered one through sixteen from bottom to top). Squares are filled in showing which harnesses are to be tied to each treadle. Please note that the filled in squares represent **raised** harnesses.

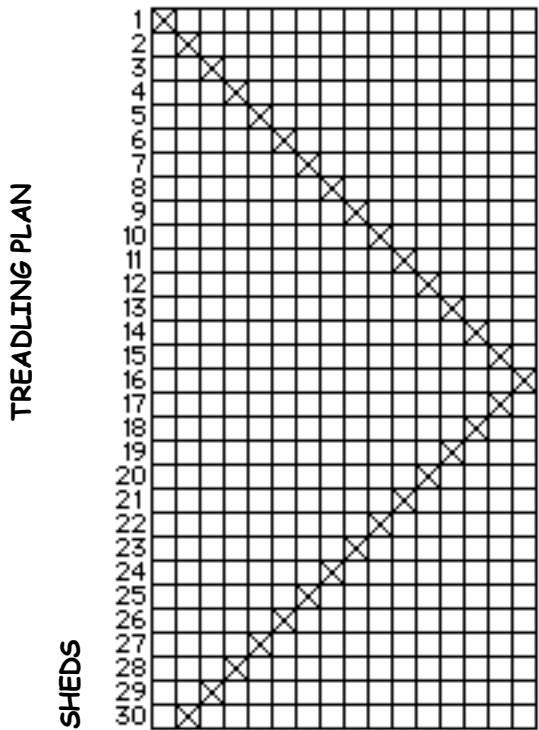
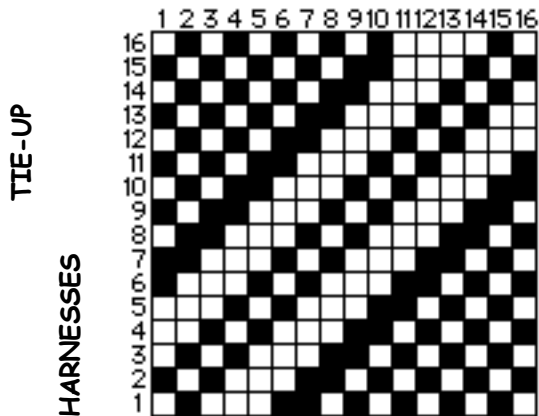
In the treadling plan below it, each horizontal row represents one shed and they are numbered from top to bottom in the order they will be used when weaving. At each shed, an “X” is placed in a vertical column representing the treadle which is to be used. Make sure your treadling plan represents one complete repeat of all the sheds needed to weave your pattern.

- Now, on graph paper, you will construct a peg plan. In your peg plan, each horizontal row will represent one dobby bar and they will be ordered from top to bottom to correspond to the way the dobby chain feeds into the dobby head and each vertical column represents the holes in the dobby bars and their corresponding harnesses. If you are using all sixteen harnesses on the loom, there will be sixteen vertical columns numbered from left to right. The number of horizontal rows (or dobby bars) needed will be the same as the number of sheds in the treadling plan. Refer to the sample peg plan (B) and notice that there are thirty horizontal rows since there are thirty sheds in the treadling plan (A).
- Now you are ready to start filling in squares in your peg plan. First look at the first shed (1) in your treadling plan. Then look above to its corresponding vertical column in the tie up and note which harnesses are to be raised. In diagram (A), that would be harnesses 2, 6, 7, 9, 11, 13, and 15. Now fill in the squares that correspond to the harnesses in the first horizontal row of your peg plan as we have done in diagram (C). This represents the holes which will be pegged in the first dobby bar and thus which harnesses will be raised by it. Notice how **horizontal** rows of the peg plan correspond to **vertical** columns of the tie up.

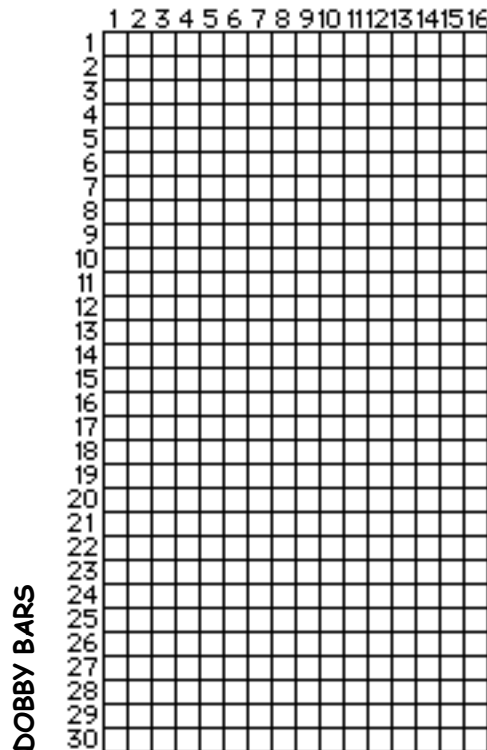
# PEGGING THE DOBBY UNIT

- Next, look at the second shed (2) of your treadling plan and note which harnesses will be raised. In diagram (A), that would be harnesses 1, 3, 7, 8, 10, 12, 14, and 16. Then proceed to the second horizontal row of your peg plan and fill in the squares corresponding to these harnesses as we have done in diagram (D).
- Continue in this same manner until all the sheds of your treadling plan have been recorded on the peg plan as we have done in diagram (E).

**A. TIE-UP & TREADLING PLAN**  
TREADLES

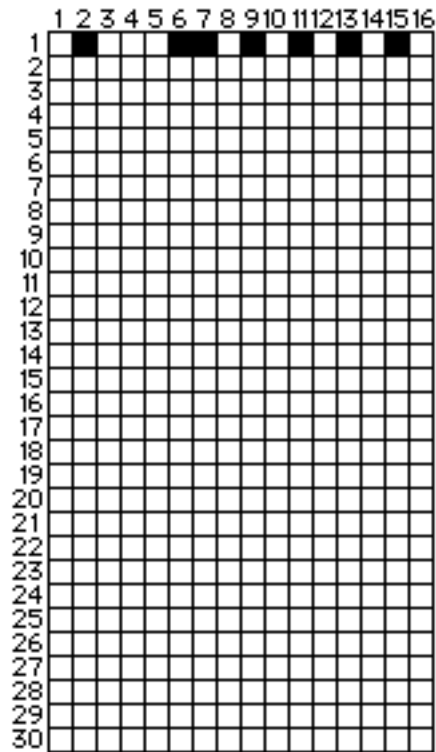


**B. PEG PLAN**  
HARNESSES

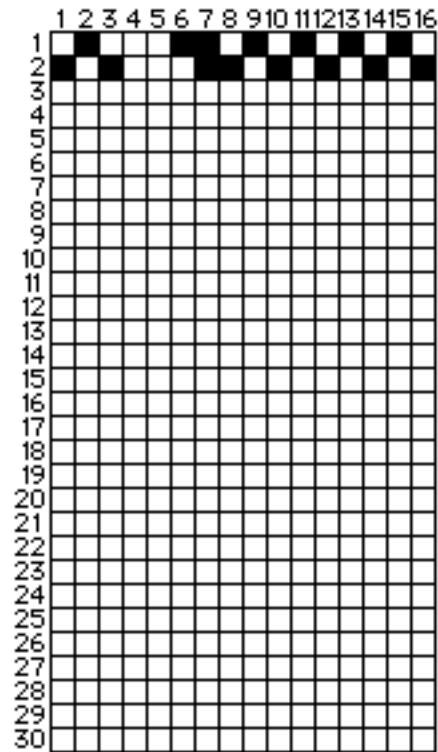


**FIGURE #24W**

C. PEG PLAN



D. PEG PLAN



E. PEG PLAN

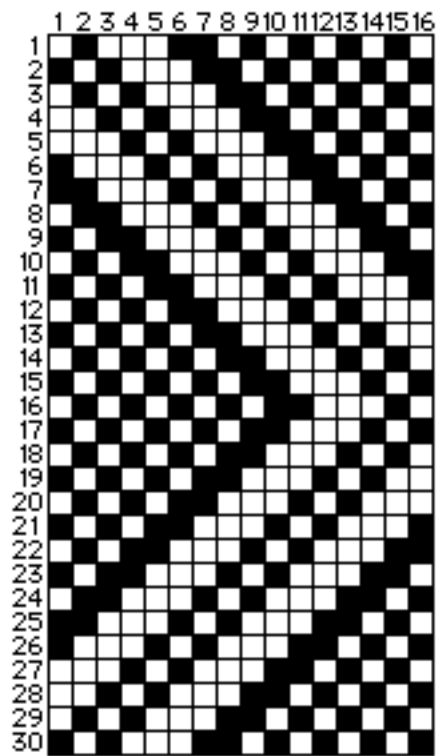
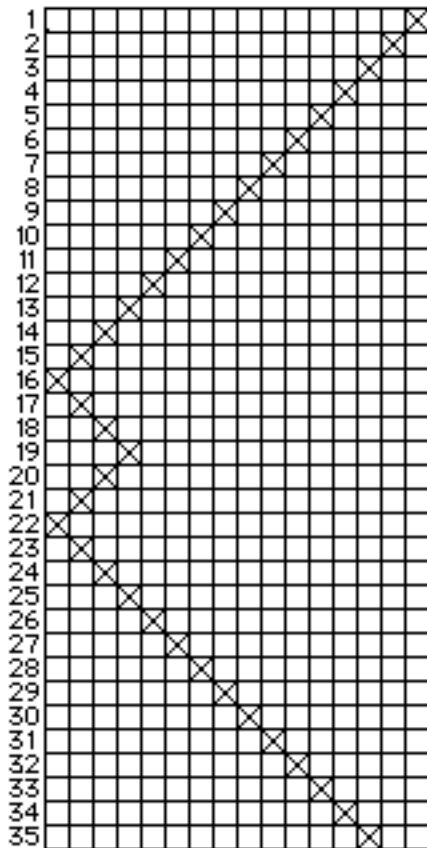
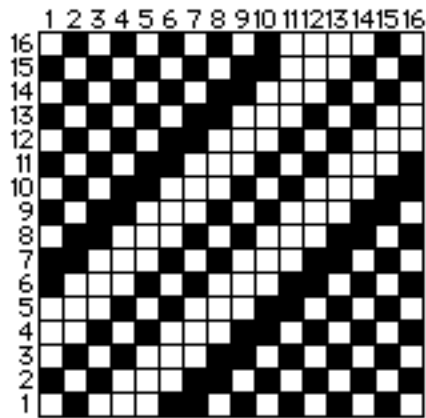


FIGURE #25W

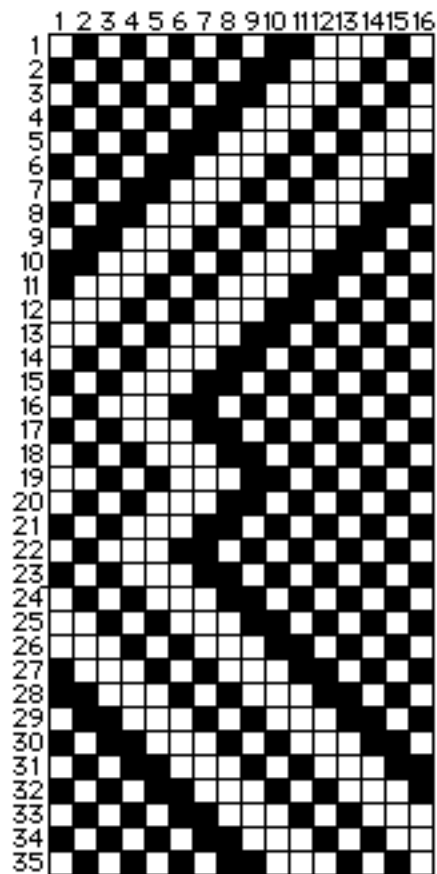
# PEGGING THE DOBBY UNIT

Diagram (F), on page 5-8, shows the same tie up as in diagram (A) with a different treadingling plan and its corresponding peg plan.

## F. TIE-UP & TREADLING PLAN



## PEG PLAN

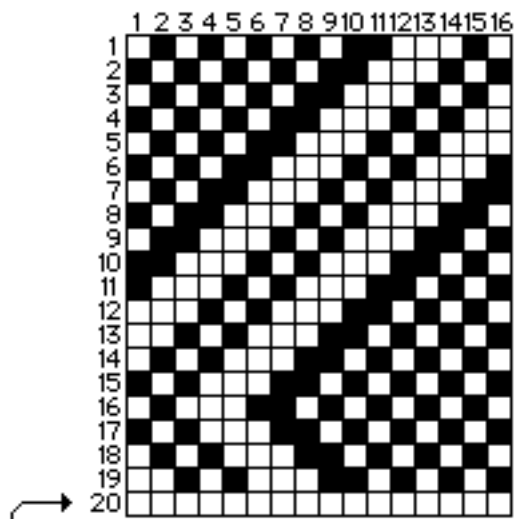


**FIGURE 26W**

Here are some additional points to keep in mind when making up your peg plan:

- At least **eight dobbie bars** should be used at once. That is the size of our dobbie cylinder. If the number of dobbie bars or sheds in the treadling plan is fewer than eight, they should be repeated several times. As an example, for a tabby weave which has only two sheds, repeat the pegging four times so that you will be using eight bars.
- When the dobbie chain is placed in the dobbie unit, it will form a continuous loop so visualize your peg plan as circular. Check your peg plan to see that if the first shed follows the last shed, the weaving pattern will turn out correctly. If you make the mistake of making the first shed and the last shed the same, two identical sheds will follow each other.
- There are times you will find it helpful to use blank dobbie bars to mark your place in your pattern. For instance, if you need to know where the beginning of a pattern is, leave a blank bar just before the dobbie bar corresponding to the first shed of the pattern. When you are weaving and come to this blank bar, no harnesses will raise.
- Keep in mind that the direction the chain moves can be reversed at any time. This feature can save pegging time and dobbie chain. One example of its use is with a pattern where the second half is a mirror image of the first half. Only the first half of the pattern need be pegged. Then, by reversing the dobbie unit, the second half or mirror image is automatically produced. When using this technique, you may want to leave a blank bar as a signal at the point at which the dobbie is to be reversed. See diagram (G) below for an example of a peg plan using this technique. This feature can also be used where long lengths of tabby are to be woven between pattern borders. Simply peg up part of the tabby and by repeatedly reversing, as much tabby can be woven as necessary. Here again, use blank bars between the tabby part of the chain and the pattern part.

## G. PEG PLAN USING REVERSING TECHNIQUE



**FIGURE 27W**

**BLANK BAR ... IF THE DOBBY UNIT IS REVERSED AT THE BLANK BAR, THE PATTERN WILL BE WOVEN EXACTLY LIKE THE ONE REPRESENTED IN DIAGRAM F.**

- When using two shuttle weaves where there is a tabby shed in-between each pattern shed, the tabby sheds are often not included on conventional treadle plans. Don't forget that on the peg plan for such a weave, a tabby shed must be filled in between every pattern shed.
- Remember that with a dobby loom, the number of combinations of raised harnesses is limited only by how many dobby bars you wish to use. On treadle type looms, the number of combinations available is limited by how many treadles the loom has. As you gain more experience working with peg plans, try designing right on the peg plan itself, adding raised harnesses wherever it suits the needs of your design.

Now peg your pattern up on the dobby bars. The number of bars needed is determined by the number of rows in your peg plan.

Before starting to put pegs in the bars, it is a good idea to mark the left end of the top bar with an X since it will be placed toward the front of the loom when placed in the dobby unit. Otherwise, it is easy to get the chain turned around which would make your weaving pattern turn out all wrong. Keep this pegged-up chain aside until it is time to place it in the dobby box.

### **Long Dobby Chains**

When pegging up the doobby head, one thing that you should remember is that if over 100 to 150 bars are used, the weight of this chain of bars may cause the doobby head to skip a bar as it is advanced. If you are using a long length of doobby chain and you experience this skipping, you'll need to suspend an auxiliary roller (a rolling pin would work) so that it will support some of the weight of the bars.

### **Handling Your Dobby Chains**

Here are some tips for handling your doobby chains:

- First of all, keep one chain pegged with tabby weave in a handy location. This way, you can quickly do tabby weave whenever necessary without having to repeg it each time.
- As you develop a repertoire of weaving patterns which you will be using over again, keep a notebook of their peg plans as well as other weaving information and give each weaving pattern a name.
- If you have lots of doobby chain, you can just leave the chain pegged up ready to be used at any time.
- Each chain will be easy to identify if you write its name on the top of the first doobby bar.
- If you do not have a lot of extra chain, here is a little trick that saves time if you are going to be repegging a pattern over again. Cut cardboard strips about the same length and width of the doobby bars. Make a guide by punching sixteen holes in one strip so that when that strip is held over a doobby bar, the holes in the strip are aligned with the holes in the doobby bar. Use the guide to punch holes in the other strips corresponding to the way the doobby bars are pegged. Use them to quickly and easily repeg the doobby bars.

---

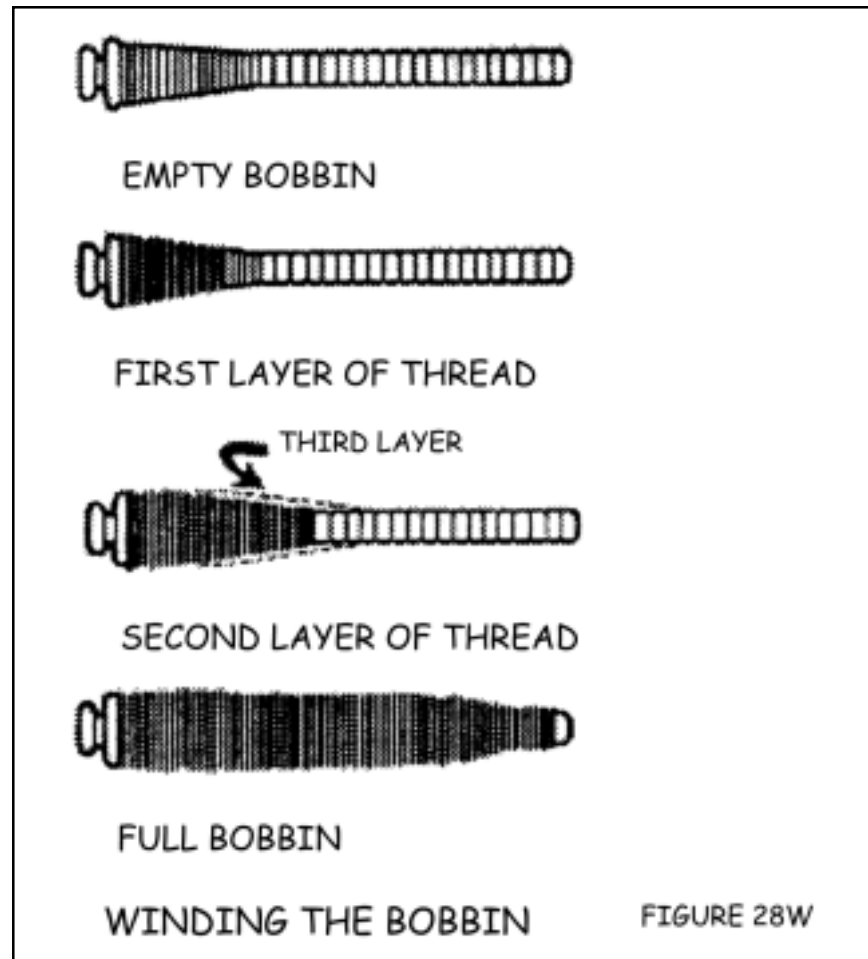
# **WEAVING PROCEDURES**



**Winding Bobbins**

The AVL loom's shuttles use stationary, open end bobbins. The advantage of using this type of bobbin over the conventional spinning bobbin is that as soon as the shuttle is caught, thread stops coming off the bobbin, whereas the spinning bobbin tends to keep spinning and unwinding thread even after the shuttle is caught. The stationary bobbin allows the weaver to more easily obtain a clean selvage edge.

Stationary bobbins are wound quite differently than spinning bobbins. They are not wound back and forth from one end of the bobbin to the other, so please practice the following technique until you feel comfortable with it.



Use a standard size bobbin winder. A hand winder will work, but an electric one is better and some sort of tensioning device is ideal since the thread should be wound very tightly (wearing a heavy leather or fabric work glove will help you to pull the thread tighter).

## WEAVING PROCEDURES

---

If you are right-handed, hold the tensioning device with the right hand for easy positioning of the thread onto the bobbin and with your left hand (have a glove on), hold the thread for tension purposes only. Make a few winds of the thread over itself at the far end of the bobbin (the end near the large coned shaped part) and then place it on the winder. To start, wind a thin layer going back and forth in one area, about 2" long at this far end. It should cover three quarters of the cone shaped part of the bobbin. Consider this the first layer of thread. Then move down 1/4" and start a new layer which will overlap 1 3/4" of the last layer. For each layer, wind the thread tightly and quickly back and forth covering a 2" area until that layer is complete. Then move down 1/4" and start a new layer which will overlap 1 3/4" of the last layer. Keep repeating these tapered overlapping 2" layers until there is 1/2" left at the end of the bobbin. You will soon learn when each layer is complete.

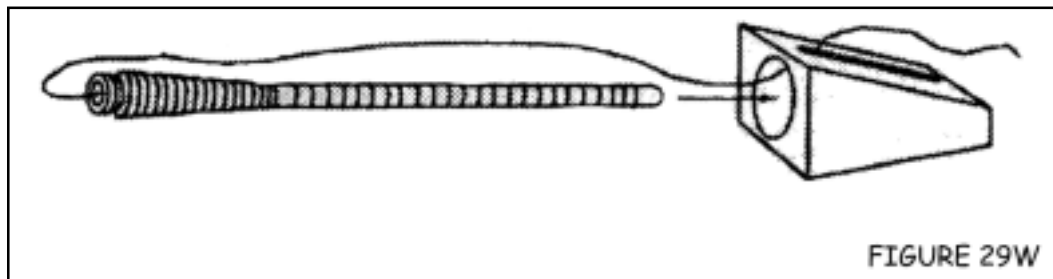
If the layers are too fat, the bobbin won't fit into the shuttle. If they are too thin, you won't get as much thread on the bobbin and it will have to be changed sooner.

### Using the AVL Bobbin-Winding Guide

The AVL Bobbin-Winding Guide (BWG) can help you to create a perfect size "package". It will allow you to get as much yarn as possible on the bobbin, but it will not touch the side of the shuttle. One critical element in winding a bobbin is to maintain a uniform diameter of yarn around the bobbin.

The AVL Bobbin-Winding Guide should be used with a Bobbin Winder equipped with a foot switch because the guide should be held with one hand while the other moves the yarn back and forth.

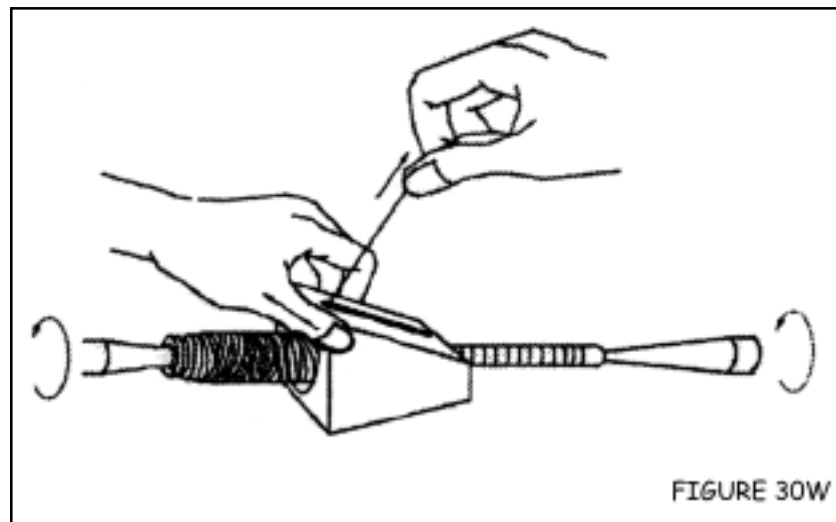
First, it must be noted that at all the basic principles for winding an end-feed bobbin apply to the BWG. That is, feed the yarn in small increments from the cone end to the small end of the bobbin.



You will begin the winding at the flared cone end. Feed the yarn through the BWG's slot and push the guide toward the cone end. Keep the slot facing you so that you can observe the yarn as it winds onto the bobbin and make any necessary adjustments.

Turn the Bobbin Winder on, slow at first, then up to full speed. Swing the yarn from side to side and try to keep as strong tension as possible on the yarn. For the most part, the tighter the better. When holding the BWG with your left hand while winding the bobbin, give some resistance to the left. Do not attempt to move it to the right side.

As the yarn builds up on the bobbin, it will naturally push the BWG down toward the end. The pressure on the BWG should be just enough to keep it in contact with the yarn underneath. Be careful not to overwind at the end because it can cause extra loops which can get tangled in the tip of the shuttle. You should stop winding when the right side of the BWG reaches the end of the bobbin.



Wind many bobbins at once so it won't be necessary to stop and wind bobbins while weaving.

A properly wound bobbin is essential to the correct operation of the flyshuttle. If the weft thread does not come smoothly off the bobbin, if the shuttle jerks and pulls the selvage edge too tightly, or if the shuttle fails to move lightly across the shuttle race, look to an improperly wound bobbin as the cause of your troubles. If a bobbin is not working properly, do not waste time trying to correct it. There is nothing you can do about it. Place it aside and use another bobbin.

### **Placing Bobbin in The Shuttle**

Now pull up the metal rod in the middle of the shuttle and slip the large end of the bobbin onto it (it might be a little stiff at first) and then push the bobbin all the way down to the end of the rod so that the groove in the end of the bobbin straddles the retaining pin in the bottom of the shuttle.

## WEAVING PROCEDURES

---

### **Feeding the Shuttle with Standard Tensioner / Adjusting the Tension**

Uncoil some thread from the front end of the bobbin and push it down between the two metal plates of the tensioning device. Slip it down the groove that runs toward the point of the shuttle and out the hole in the side.

The tension device on the shuttle can be adjusted by turning the screws inside the holes on each side of the shuttle with the screwdriver provided. For fine yarns which need a tighter tension, turn the screws so that the metal plates are tight against each other. For large yarns, loosen the screws so that the metal plates loosen up.

Throw a few weft shots with the shuttle and then check your selvages. If the selvages are too loose, increase the tension. If the tension is too great and the selvages are drawing in, reduce the tension. It may take a little experimenting to get it just the way you want it.

### **Feeding the Thick Yarn Shuttle / Adjusting the Tension**

If you have an AVL shuttle with two tension springs and plates to hold the yarn, to thread it simply pull the filling thread off the end of the bobbin. Use a small hook (perhaps a crochet hook or make one from a paper clip) to get the thread in between the plates and through the side hole.

The tension adjustment is just the same as in the shuttles with a standard tensioner. The only difference is that instead of the screwdriver, you will be using an allen wrench for the adjustment. This kind of shuttle with the spring tensioning system is especially useful for novelty yarns where diameters of the yarn changes across the yarn and, therefore, more flexibility is needed.

### **To Remove or to Change the Reed**

To change the reed on the flyshuttle beater, remove the beater top and then remove the seven bolts from the reed support. That will loosen up the reed support and allow you to remove the reed. Now it's just a matter of reversing your steps for installing the new reed. On a flyshuttle beater, it is essential that the reed stays in perfect alignment with the shuttle race or else you'll have flyshuttles flying across the room.

### **Using the Flyshuttle Beater**

The AVL loom's flyshuttle beater is designed to increase weaving speed. It has a light and easy action and little physical exertion is needed to operate it. Weaving can be done for hours without tiring the weaver. With a properly wound bobbin and a little practice of the throwing technique, selvage edges turn out smooth and even.

### Throwing the Fly-shuttle

It's going to take a little practice to learn to throw the flyshuttle. In the beginning, you should only be concerned with learning the technique described below. Practice each step slowly and carefully. This will form good habits which will become automatic and it is after that, that the speed will come.

You should practice at first with an empty bobbin and then with weft thread when it starts to go a little smoother.

- Push the beater away from you to its rearmost position, place the shuttle on the shuttle race and slide it into one of the shuttle boxes so that it pushes the picker as far as it will go to the end of the box.
- The hole in the side of the shuttle through which the weft thread passes should generally be facing the weaver.
- Place one hand (right hand if you are right-handed, left if you are left-handed) on the flyshuttle handle and the other hand in the center of the beater and open the shed.
- To send the shuttle along the shuttle race and into the opposite box with the single box flybeater, make a short quick wrist movement with the handle in the direction the shuttle is to travel.
- Beat the fell of cloth with the hand that is on the beater. Keep the body relaxed and do not waste energy by moving your body backwards.
- Now close the shed.
- Start the sequence again by opening the shed and throwing the shuttle to the opposite side, but be sure not to change hand positions.

Eventually, it should all become one smooth flowing movement.

Your body should stay straight and comfortable with no strain as light movements of the hands, wrists, and feet are used to operate the loom. Your eyes and attention should be focused on the fabric being woven, constantly on the lookout for flaws so that they can be corrected immediately.

## WEAVING PROCEDURES

---

Here is a good way to progress in learning to use the flyshuttle beater more efficiently.

Six steps progress:

- beater back
- open shed (press right treadle)
- throw shuttle
- shuttle stops
- close shed (release right treadle and press the left one)
- beater forward

After you feel comfortable with these, move on to the following four step progression:

- beater back and open shed at the same time
- throw shuttle
- shuttle stops
- beater forward and shed closed at the same time

### **Double Box / Four Box**

With the double box and four box beaters, you pull straight down on the handle. Your body should be erect and relaxed. Move only your hand and wrist. You will soon get a “feel” for the correct wrist movement. The shuttle should stop just at the end of the shuttle box without bouncing too far back or falling short. If the shuttle bounces too far back, too much weft thread will be let out of the shuttle and a loop may form at the selvage edge. If the shuttle falls short of its goal, it will not be in the correct position for throwing the next pick. If the shuttle falls short, push it to the end with your hand.

To change shuttles on the double box and four box beaters, simply lift up and shift the control handle. The easiest position to do that is when the beater is in the position closest to you. On the four box, there are four settings (you’ll “feel” the notches).

### **Starting a New Bobbin**

There are two methods:

- to throw the first shot by hand in the conventional manner. Hold on to the end of the thread, but instead of catching the shuttle, send it all the way to the opposite box.
- use the flyshuttle. Before sliding the shuttle into the box, take hold of the end of the thread with the hand that would ordinarily hold the beater.

### **Weaving with Two or More Shuttles on a Single Box Flyshuttle Beater**

If you are doing a weave that requires two or more shuttles to be thrown in succession and you have a single box flyshuttle beater, you will need to hand throw at least one.

But if you are doing a weave that requires the hand throwing of both or more than two shuttles, you can simply unclip the cords and handle and remove the sliding pickers so that they don't get in your way. Then use the beater as you would a standard beater. If you are weaving a wide piece in this way, you might experience difficulty in getting the shuttle through the shed without interfering with the box sides. If so, just remove the four screws from each front box side and remove them. This will give you plenty of room to work.

If you do much of this type of weaving, you should probably consider the double box or four box flyshuttle beater.

### **Starting Your Weaving**

At the onset of weaving, first weave in one inch of a strong, medium weight weft with a tabby weave. Check the tabby weave for errors. Any errors in the threading or sleying will show up here and it is an excellent time to make corrections.

### **Mechanical Dobby**

The position of the forward-reverse cord determines the direction in which the doobby chain will move. When the cord is in its most extended position, with the knot caught on the outside of the hole in the wooden stop bracket, the chain moves in a counterclockwise direction. To reverse the direction in which the chain moves, gently pull and snap the cord so that the knot goes through the hole and rests on the other side of the stop. Be careful not to pull the cord too hard or you will pull the spring out of shape.

### **Advancing the Cloth**

To advance the cloth, you simply wind it forward by using the ratchet handle while the beater is in its forward position. Make sure the fell of the cloth does not go beyond the front of the beater in order not to have to wind it backwards. This easy, rapid method of advancing the cloth makes it practical to advance the cloth about every two inches of weaving. By maintaining this two inch weaving space, the swing of the beater and the shed angle are kept more nearly constant and this makes it much easier to weave a uniform fabric.

## WEAVING PROCEDURES

---

### Reversing Your Warp if Advanced Too Much

To do this, follow these steps:

- wind the cloth storage weight to the topmost position and lock it into place.
- remove the stop pin (with the ring attached) near the end of the cloth storage roller. Unwind the roller and replace the stop pin.
- turn your breast beam back or take the fabric from underneath and bring it forward.
- crank the warp beam so the warp is wound back onto the beam.
- unlock the cloth storage weight and continue weaving.

### Using the Cloth Storage Roller

When weaving long lengths of fabric, the material is taken around the front cloth beam and passed to the back of the loom to the cloth storage roller which can accommodate a roll up to 16" in diameter. The cloth storage system, consisting of cord, pulleys, rollers, and a weight, is designed to automatically wind the woven cloth onto the storage roller as the cloth is advanced. A looser tension is maintained on the storage roller than on the weaving. This eliminates any strain on the fabric while the special abrasive surface of the cloth beam holds the proper tension on the weaving being done. This also makes it possible to weave long lengths of fabric that have an uneven surface which would ordinarily cause poor tension because of the uneven build up on the cloth beam.

You should have already tied the ends of your warp onto the metal rod in the apron. If so, as you weave, your fabric will automatically be wound onto the cloth storage roller. There are a few points that will help you get the most out of your cloth storage system.

- Whenever you take the pin out of the cloth storage roller, you need to have the weight in its topmost position and locked. To lock the weight, simply wind the weight to the top and turn the oval knob (that's just above the tool holder on the inside surface of the loom) to a horizontal position. If the weight is not locked and the cloth storage pin is removed, the weight will fall, full speed, to its bottommost position, possibly breaking things that will need to be repaired.
- Before you release the weight, always check to be sure you have securely fastened the fabric to the cloth storage roller and that there isn't a lot of slack in the space between the cloth storage roller and the cloth (breast) beam.



### **Removing the Cloth from the Loom**

- As the weaving proceeds and the cloth is wound forward, the weight on the pulley will gradually descend. Before the weight hits bottom, wind it back up to the top using the take up drum. This will happen about every 1 1/2 to 2 yards.

After you've completed your weaving, use the following procedure for removing the cloth from your loom:

- bring the weight to its topmost position and engage the weight lock.
- cut your cloth off where desired and lift it off the cloth beam.
- go to the back of the loom and grasp the cloth storage roller at both ends. Lift the right side of the roller up and toward you until it disengages with the ratchet on the left.
- manually wind the excess cloth onto the storage roller.
- take the cloth off the roller.
- replace the empty rear cloth storage roller in the loom.

### **Adjusting the Beater and Spring Levers**

In preparation for weaving, all AVL beaters should be adjusted in height so that the bottom half of the shed is just touching the shuttle race in the open shed position. So open a shed (to open a shed on the dobby loom, press downward on the right treadle ..... when closing the shed on the dobby, make sure the left treadle goes all the way down) and raise or lower the beater by using the adjusting wing nut screws which are near the bottom of the beater legs for floor mounted beaters or near the top of the hanging arm for overhead beaters.

Floor mounted beaters can also be placed in one of three positions depending on your personal preference and / or how hard the fabric will be beaten. For a very heavy beat, the beater should be placed in its rearmost position. For a very light beat, it will be placed in its frontmost position. Place the beater in one of the three positions "before" adjusting for height as above.

## WEAVING PROCEDURES

---

The springs of the spring lever return system should also be adjusted for positive harness return, i.e., the harnesses stay all the way down in the depressed position and require the least amount of effort for lifting. This will vary according to the weight of the warp. In general, lightweight, less dense, looser tensioned warps with a smaller weaving width will need very little spring tension to assure positive harness return. Heavier, denser, tighter tensioned, and wider warps will need more spring tension. To tell if the harnesses are returning all the way, open several sheds by working the treadles. Watch the unlifted harnesses and if the tops of their heddles become loose and tend to move around, then spring tension should be increased, but just enough to get the harnesses to stay down and no more or your treadling effort will be made greater than it has to be. Not all harnesses will need the same adjustment. It will depend on the distribution of your warp on particular harnesses.

To adjust the spring tension, simply unhook the spring and then rehook it one chain link shorter (see the assembly section). This tightens the spring and makes it pull down harder on that particular harness. Test the warp again by doing some more treadling and if more spring tension is still needed, try one or more chain link less. Under unusual conditions (perhaps a very tight rug warp) two springs on some or all of the harnesses may be necessary. If all the springs are set the same, the back harnesses will have a looser tension than the front. This is because the back spring levers and their hooks are longer since the back harnesses travel farther when a shed is made. Accordingly, in some cases, the back spring levers might have to be adjusted shorter to give the same tension as the front ones. The important thing to remember is that the system is designed so that it can be “fine tuned” for each particular warp, so experiment with it. In general, for most medium tensioned warps, you will find that adjusting will not be necessary. The loom comes with sixteen chains and sixteen springs (or twenty-four chains and twenty-four springs). If extra springs are needed, you can use 16” screen door springs which can be purchased in almost any hardware store. You can also get extra chain there.

---

**LOOM  
MAINTENANCE  
AND  
TROUBLE-  
SHOOTING**

# LOOM MAINTENANCE AND TROUBLESHOOTING

## LOOM MAINTENANCE

### 1) **Tightening the Bolts**

The single most important thing you can do to extend the life of your loom, and preserve its operation, is tighten the bolts that hold its frame together. These will loosen over time, due to changes in its environment and to your own creative exertions. A loom which is allowed to become loose-jointed will certainly cost you weaving time, perhaps affect the quality of your work, and definitely become older than its years.

### 2) **Lubrication and Cleaning**

There are several mechanisms on your loom which will benefit from the occasional light application of an appropriate lubricant. Not all lubricants are suitable in the weaving environment. Machine oils and greases, for example, may provide plenty of slick, but they also capture yarn dust and will, over time, actually impede the action of your loom.

<b>Loom Parts</b>	<b>Lubrication and Cleaning</b>
Shuttles, Shuttle Race, Single-Box Flyshuttle Picker Grooves	Paste Wax
Slide Rods (double box pickers, bobbin winder)	Steel Wool
Axles (pulleys, spring levers, overhead beater)	Silicon Spray
Warp Beam Metal Rods (where metal works against the wood frame)	Paraffin
Warp Beam Brake Drum	Sandpaper

### 3) **Cleaning a Filter**

Unless you have an AVL Air Shuttle or other pneumatic accessory, you will have only one filter on your loom, and then only if you have a Compu-Dobby. This is the fan filter and it performs two functions: it cools the unit and it removes dust from the air before it is drawn into the fan.

#### a) **Compu-Dobbies I**

The filter is easily overlooked on our early generation Compu-Dobbies because it is hard to access.

The filter on older units is located on the back of the unit, below the solenoids. This means you must remove the CD to clean it. If the filter becomes clogged, it will restrict air flow, heat will build-up in the box, and sensitive electronic components may fail and will need to be replaced. If you do not feel comfortable doing this, we recommend that you remove the filter altogether. It's better to operate with no filter, than with a clogged filter.

### **b) Compu-Dobbies II**

In our Compu-Dobby II design, we corrected the access problem.

The filter here is extremely easy to find: it sits atop the solenoid box.

In either case, remove the snap-on plastic cover that fits over the fan vent. Remove, rinse, and dry the foam filament. Replace. It is imperative that you clean this filter regularly. We recommend every two weeks, depending on how much you use the loom and what type of yarn you use.

### **4) Checking Cords and Cables**

Check those cords and cables. All machines wear, and cords are usually the first things that fatigue on a loom.

### **5) Tool Kit and Spare Parts**

Here's a list of the basics, nice-to-have-around items:

#### **a) Minimum Tools**

- Socket wrench with
  - 7/16", 1/2", 9/16" socket
- 6" or 8" crescent wrench
- Medium standard blade screwdriver
- 4-1 Screwdriver or medium phillips and standard screwdrivers
- 1/8" allen wrench
- Paste wax
- 0000 steel wool pad
- 220# sandpaper
- Paraffin wax

#### **b) Spare Parts You Might Consider Having**

- Spare Treadle Cable (left/right)
- Spare Flyshuttle Tie-Up Cord  
(Flyshuttle only)
- Spare Picker Returns  
(Flyshuttle only)
- 6' length of 350# Braided Dacron  
Cord (for emergency repairs)

## LOOM MAINTENANCE AND TROUBLESHOOTING

### TROUBLE-SHOOTING

#### 1) Harnesses

Your AVL will have either polyester or metal heddles. The supporting harnesses (or shafts) are different for the two heddle types: metal heddles, whether twisted wire or flat steel, are suspended from rigid frames; polyester heddles are carried on transverse Harness Sticks, top and bottom. In all cases the harnesses are stabilized at the bottom by a series of spring-tensioned levers, Spring Levers. These hold the harnesses down and prevent your heddles from *floating*.

Some weavers like metal heddles because they believe they are easier to thread; others prefer the lighter and quieter polyester heddles.

On occasion you will find that one or more of your harnesses will misbehave. That is more likely to happen with harnesses with Polyester Heddles. There are a finite number of things that can cause these problems.

**TABLE 1 / HARNESSSES**

Symptom	Possible Cause	How to Fix It
A.) One or more <b>top harness stick collapses</b> ; it assumes a diagonal angle and one leg of the harness cable from which it is suspended goes slack.	1.) Your heddles are bunched together towards the center of the harness or on one side only. This is a problem because the heddles are part of the harness structure.	Move a few heddles to each end of your harness sticks; just to the inside of the harness wires that connect the top and bottom sticks. That way your harnesses will be balanced.
	2.) The harness cable supporting the shaft has come out of its pulleys at the top of the loom.	Trace the cable back through its pulleys in the Harness Pulley Support and make sure that the cable is properly seated. Check the action of the Dobby Cable as well. Make sure that it moves easily up and down. If the Dobby Cable seems to bind, check for debris in the hole where it comes through the Dobby Top. You may need to use a very thin piece of wire to dislodge accumulated yarn dust or other debris.
B.) The <b>heddles float</b> ; they are lifter upwards by the warp thread when you tension the warp and your shed is not even or not large enough.	1.) The tension in your warp is greater than the tension in the springs that hold the harness down.	Take up a link or two in the chain that spans the Harness Spring Levers for that particular harness. Check the result and take-up more links if you feel you need more hold-down tension. Do not try to make all chains the same size. The size will depend on how much tension is required for each harness depending again on the number of threads going through that harness.

# LOOM MAINTENANCE AND TROUBLESHOOTING

TABLE 1 / HARNESES (cont'd)

Symptom	Possible Cause	How to Fix It
C.) <b>One or more harnesses that are supposed to raise don't.</b>	1.) Left treadle isn't being pressed all the way down.	Concentrate on getting both treadles all the way through their travel.
	2.) Dobby arm out of adjustment.	Realign the dobbie arm according to the assembly instructions.
	3.) Dobby Cables out of finger slots.	Rearrange the cables according to the assembly instructions.
D.) <b>Harnesses don't raise properly.</b>	1.) Harness cables have been hooked to the wrong harness.	Rearrange the cables.
	2.) Chains from the spring levers have been hooked to the wrong harnesses.	Rearrange the cables.
	3.) Copper hooks on the spring levers have been bent.	Straighten the hooks with pliers.
E.) <b>Harnesses jam up on each other.</b>	1.) Heddles are not distributed evenly over the harness sticks.	Redistribute the heddles evenly on both sides from the center of the harness sticks.
	2.) Harness wire that connects the harness sticks has jumped out and got stuck in the heddles of the other harness.	Pull the wire out, make sure it does not catch any heddles and replace it to just connect the top and the bottom harness sticks.  If you have a large number of extra heddles on each side, you might want to tie them in bundles to prevent getting caught by the harness wire.

## 2) Tension

If you look at the Tension Arm Assembly, you'll note that it consists of an *arm*, on which slides a *weight*; and a *cable* which travels over a plywood pulley, to a large wooden *drum* on your Warp Beam, and finally to an anchor bolt on the loom frame. Worked into this cable is a loopey set of cords with a plastic lock. This is the *Tension Tie-Up Adjusting Assembly*.

There are two things you need to understand in order to use this system to its best advantage.

Warp tension is *established* with the weight and is *maintained* with the tie-up.

Think of tying your shoes. When you make that first cross of laces and snug them up, you are establishing tension. If you like your shoes tight, you'll pull harder on the laces. At that point, you've set your tension. But, if you were to simply walk off without finishing the knot, you'd spend the rest of the day re-snugging your laces. But instead you'll tie a bow — this will maintain the tension you put in the laces.

So with the Tension Arm Assembly. The weight does what that first part of a bow knot does — it lets you set tension. The tie-up does what the finish knot does, it keeps the tension constant.

**Optimal Performance:** If your tension system is working properly:

- You will have precisely the tension you want.
- The Tension Arm will ride about horizontally.
- You will feel even tension when you draw your warp forward, and
- This tension will remain constant.



# LOOM MAINTENANCE AND TROUBLESHOOTING

TABLE 2 / TENSION

Symptom	Possible Cause	How to Fix It
A.) Your Warp Beam just won't hold tension, the <b>arm is down</b> -- doesn't matter where your weight is or how tightly you've adjusted the cord, you just <b>can't get enough tension</b> .	1.) Your Tension Tie-Up has loosened.	Readjust the tie-up and either tie a bow in the cord ends or bind it tightly with a double wrap of cord.
	2.) You have mis-routed your brake cable. If you have just installed the system, disconnected your Brake Cable, to move the loom, or warp the beam, you may very well have incorrectly replaced it.	Review the cable routing as shown in the appropriate figure in the Assembly Section of your manual. Be careful, though, there are different illustrations depending on whether your beam is in the <b>upper</b> or <b>lower</b> position.
	3.) You may have warped your beam backwards. Go to your manual and consult that figure in the Weaving Section which illustrates how your warp should be routed.	If you did warp your beam backwards, you will need to reverse your tension cable. Unhook the buckle, loosen the cable, and wind it in the opposite direction. This is not a permanent fix. Use it only to weave off the warp you wound backwards.
	4.) The sandpaper on your Cloth Beam is not grabbing the warp and pulling it around as it should.	Check <b>Symptom A.) in Table 3/Cloth Storage System</b> . If the warp still won't adhere to the Cloth Beam, you'll very likely need to add SoftGrip or another kind of beam cover in order to get satisfactory warp tension.
	5.) The surface of the Brake Drum has become polished and no longer offers sufficient friction to grab and hold the Brake Cable.	Disconnect and unwind the Brake Cable. Lightly sand the surface of the groove in the Brake Drum with your #220 sandpaper. Replace the cable (but be sure about its routing!)
B.) The tension arm rises to a steep upward angle when you advance.	1.) Your tie-up is too tight.	Loosen your tie-up.

## LOOM MAINTENANCE AND TROUBLESHOOTING

| TABLE 2 / TENSION (cont'd)

Symptom	Possible Cause	How to Fix It
C.) <b>The Tension Arm periodically rises and then lets go, Wham!</b>	1.) This is a clear indication that the wood grain in the groove of the Brake Drum has become swollen. If you've had a recent elevation in humidity, it's almost surely the case. The grain has become so sticky that it won't let the cable slide smoothly over the drum.	Remove the Brake Cable and sand the raised grain with #220 sandpaper until it is again smooth to the touch. There will be two places on the drum in particular that need attention; these are where the end-grain is exposed and will be opposite one another.
D.) Your <b>warp tension is different</b> in different places <b>over the width of the warp.</b>	1.) It is not indicative of a tensioning problem. It is a matter of not having maintained even tension when warping the beam and there's no redress from the Tension Arm. It's just too late for this warp to be well tensioned.	You should have used a Tension Box for sectional warping or craft paper for plain beam warping. If you do not want to waste this warp, place something (folded paper or cloth) in the areas on the beam where your tension is looser. You will have to move your paper everytime you advance the warp and also keep adding more since it will probably become looser and looser.
E.) <b>Excessive tension on the warp.</b>	1.) Weight on the tension arm is in a too far out position.	Adjust the position of your weight on the tension arm.
	2.) Too much weight on the tension arm.	Use a smaller weight on the tension arm.
	3.) The tension rope has gotten crossed over itself on the warp beam brake drum.	Straighten out the rope.

# LOOM MAINTENANCE AND TROUBLESHOOTING

## 3) Cloth Storage System

There are two kinds of Cloth Storage Systems used on AVLs: one is used on our larger Production Looms, the other on our Folding Looms. They are similar in that both rely on the action of a dead-fall weight to create the energy needed to roll your cloth onto a rear mounted Cloth Storage Beam — that is, they harness gravity to do work. And both systems move your cloth to this beam automatically; you need only wind the weight back up when it's reached the limit of its travel. Even though they are very similar in principle, they look somewhat different. In this class, we will pay particular attention to the system used on Production Looms.

The problem is that you have two drums that turn in opposite directions simultaneously. The best antidote here is to come to know the system so well that you can visualize its operation at any moment.

**TABLE 3 / CLOTH STORAGE**

Symptom	Possible Cause	How to Fix It
A.) The <b>cloth isn't moving backwards onto the Storage Roller.</b>	1.) The weight is at the bottom of its track and is no longer pulling on the cord, so there's no energy left to roll cloth onto the Storage Roller.	Wind the weight to the top position. If the weight does not want to stay in the top position, check if you forgot to insert the pull pin when you last had the Cloth Storage Roller off or the pin has fallen out. Replace the pin.
	2.) The cord on the Cloth Storage Drum at the rear slackens, unspools, and leaves quite a mess. The cord at the Cloth Take-Up Drum in the front may even snarl and wrap around its axle.	You will achieve the best result if you simply reinstall the system. First, locate the instructions in your manual, in the Assembly section, that pertain to installing your Cloth Storage Drum. Begin at the place where you are instructed to <b>"Route the Cloth Storage Cord"</b> .
	3.) The Cloth Storage Spring has come unhooked at the loom frame or the spring has broken.	Lock the weight up. Go to the Cloth Storage Drum at the back of the loom, pull the pin, and turn the drum clockwise: If it seems not to offer any resistance, remove the drum and examine the spring (spring has hooks on both ends). If the spring is hooked over the pin inside the drum and has a corresponding hook at its other end, replace the drum, taking great care to engage the free hook on the pin in the side frame. If either hook is missing, the spring needs to be replaced.

## LOOM MAINTENANCE AND TROUBLESHOOTING

TABLE 3 / CLOTH STORAGE (cont'd)

Symptom	Possible Cause	How to Fix It
	<p>4.) The Clutch Bearing in the center of the Cloth Storage Drum is malfunctioning.</p> <p>To determine if this is the problem, with the pull pin in place, try turning the Cloth Storage Drum lightly clockwise. You should not be able to move it without moving the cloth storage beam.</p>	<p>You need to replace the Cloth Storage Ratchet Assembly and Clutch Bearing. Call AVL to order parts.</p>

## LOOM MAINTENANCE AND TROUBLESHOOTING

### 4) A Shed

AVLs are designed with a shed which exactly meets the need; not too wide, not too narrow. And there's of course a reason for this precision. Raising harnesses higher than you need may give you a larger shed, but it's also a waste of time and effort. You only need enough warp separation for the shuttle to pass freely. However, because the shed on AVLs is so precisely calibrated, you do need to be sure that you're getting all that the loom can deliver. There are three likely causes for restricted sheds:

**TABLE 4 / A SHED**

Symptom	Possible Cause	How to Fix It
A.) <b>Restricted Sheds</b>	1.) Shuttle Race is too high or low.  When your beater is pushed all the way away from you, your warp threads should just be gently touching the race.	If the race is too high, you'll need to lower it. If you see a gap between the bottom of the warp and the top of the race, bring it up!  On the overhead beaters, there is an adjustment screw at the top of the beater hanging arm.  On the bottom swing beater, there is a same kind of adjustment screw, but at the bottom of the beater.
	2.) Treadle cables fell off the pulleys.	Replace the treadle cables so they go over the pulleys.
	3.) Dobby Cable Turnbuckle is out of adjustment.	You'll need a helper to check this. Have him watch the travel of the Dobby Arm in the slot on the right side of the Dobby while you treadle the loom. Do not have any harnesses engaging. The arm should travel all the way to the top of the slot and to the bottom. If it does not go all the way to the bottom, check if the dobbie arm stop is not blocking the movement. If there is a pin in that place, pull it out. If it is not, you'll need to tighten or loosen the turnbuckle at the side of the loom.

## LOOM MAINTENANCE AND TROUBLESHOOTING

### 5) Beaters and Flyshuttles

**TABLE 5 / BEATERS AND FLYSHUTTLES**

Symptom	Possible Cause	How to Fix It
A.) <b>Shuttle flying off the track.</b>	1.) Shuttle boxes are out of adjustment.	a.) Single Box Flyshuttle: Bridge the Shuttle Race and Shuttle Box with a ruler or other straight edge. They should be in perfect alignment. If one is lower than the other, loosen the Shuttle Box and reposition it. If you need help, go to the <a href="#">(installation instructions)</a> in your manual.
		b.) Double or Four Box Flyshuttle: In the same way, check the position of each of your shelves relative to the race. If you have a problem, make the necessary adjustment at the tumbuckle in the cable that attaches to the shift handle; bring the shelves up or down. You may need to loosen the brass screws (motion limiters) top and bottom of the box carriages in order to create enough room to make this adjustment. Be sure to retighten them once you've corrected the elevation problem.
	2.) Your shuttle is hitting the end of the reed.	Insert small shims in the grooves that hold the reed into the race and beater top so that the end of the reed is deflected backwards.
	3.) Tensioner in your shuttle is not adjusted.	The advantage of an end-feed shuttle is that it allows you to tension the feed of your yarn. Most shuttles of this design have adjustable tensioners. Be sure yours is set to match the characteristics of the yarn used.
	4.) Bobbins not wound consistently.	If it's soft on the end and the wraps collapse and pull into one another, you will have to <a href="#">(wind it)</a> again. Use an <a href="#">(AVL Bobbin Winding Guide)</a> .
B.) One side of your fabric is beaten more tightly than the other even if you are holding your beater in the middle. You have a <b>diagonal beat line</b> rather than horizontal.	1.) Your beater is out of alignment.	To check, push your beater all the way back against the Beater Bumper Blocks, it should strike both sides at exactly the same time. If it doesn't, you'll need to rack the beater.

## LOOM MAINTENANCE AND TROUBLESHOOTING

### 6) Dobby

TABLE 6 / DOBBY

Symptom	Possible Cause	How to Fix It
A.) <b>Dobby skips.</b>	1.) Pressing too hard or too quickly on the treadles.	Press the treadles with a smooth, rhythmical motion.
	2.) Cable turnbuckle out of adjustment.	Adjust according to the <u>assembly instructions</u> .
B.) <b>Dobby head jams.</b>	1.) Dobby chain not brought out over the top of the lower roller.	Reverse the dobbie and turn by hand to get the dobbie chain out.
	2.) Dobby cable turnbuckle out of adjustment.	Adjust the turnbuckle according to the <u>assembly instructions</u> .
C.) <b>Dobby chain does not advance.</b>	1.) Detent wheel on the dobbie head is loose.	Contact AVL Looms customer service for advice on correcting this problem.

### 7) Left Treadle Issues

If you do not fully depress the Left Treadle each time you lift, you will experience problems with your harnesses. Because the Left Treadle is unweighted, it's easy to forget that you need to do this. However, this treadle does something very important — it releases the harnesses that were engaged for the previous pick, but only in the last fraction of its stroke. So, if you seem to be experiencing harness lifting problems, your use of the Left Treadle is the first thing to suspect.